

Strong Hand Tools

The Big Book of Efficient Workholding for Welding & Fabrication.

Welding Clamps & Pliers

Magnetic Squares

Fixture Vises

Grounding Tools

**Shop Equipment
and Organization**



StrongHandTools®

StrongHandTools.com

800.989.5244



We create metalworking products that save time, increase comfort, and improved quality for our customers.



Quick Acting Welding Tools
www.StrongHandTools.com



Mobile Fixturing Station
www.Rhino-Cart.com



Modular Welding Tables
www.BuildProTables.com



Heavy Duty Welding Tables
www.Pro28Tables.com



Toggle Clamps & Latches
www.GoodHandinc.com



Operating Accessories & Tooling Components
www.Valtrainc.com



The Strong Hand Tools® line of innovative products are sold in over 60 countries worldwide, through a network of Authorized Distributors delivering timely technical and customer service support for your business.

For over 38 years, we've communicated with welders and fabricators to develop innovative clamping and fixturing tools. Our dedicated team of engineers continue to study every aspect of layout, clamping, and positioning with a variety of materials so you'll be well prepared to create set-ups for any project. Having the right tools in your shop to handle each new project is the key to improving work quality and productivity, and growing your business.



USA Headquarters in Los Angeles, CA.



Product development starts here with rigorous testing from our R & D Team.



European sales & distribution office located in Czechia.



WELDING CLAMPS

- 4 4-IN-1™ F-Clamps
- 8 J-Clamp Step-Over
- 9 Ratchet Action Clamps
- 9 MagSpring™ Clamps
- 10 Modular Platen Clamps
- 11 Clamp Replacements & Accessories



MAGNETIC SQUARES

- 12 Adjust-O™ Magnet Squares & Accessories
- 13 Adjust-O™ 90° Dual Switch
- 13 Adjust-O™ Angle Magnet
- 14 A-Frame HD Magnet
- 14 Standard Magnet Squares
- 15 Mini Magnet Squares
- 15 XYZ Magnet Squares



MAGNETIC POSITIONERS

- 16 Inside/Outside Magnets
- 17 Corner Magnets
- 17 MagHold™ V-Pad Kits
- 18 MagTabs



PLIERS

- 20 C-Clamp Locking Pliers
- 21 Pipe Pliers
- 22 Large Diameter Pipe Pliers
- 22 Pipe Joining Pliers
- 23 Multi-Purpose Pliers
- 23 Adjustable Reach & Long Reach Pliers
- 24 Big Mouth Pliers
- 24 Economy Pipe Pliers
- 24 C-Jaw Pliers with Hammer Head
- 25 Dual Axis Pull Pliers w/ Hammer Head
- 25 Expand-O™ Pliers
- 26 JointMaster™
- 28 Small Diameter Pipe Pliers
- 29 Pliers Replacement & Accessories



VISES

- 30 2-Axis Vise
- 31 3-Axis Vise
- 32 Welder Universal Vise
- 33 Aluminum 90° Tru-AngL Jig
- 33 Portable MagVise™



PIPE HANDLING TOOLS

- 34 Pipe Alignment Clamps
- 34 Pipe Fit-Up Clamps
- 35 Locking Chain Pliers
- 35 MagRest™ V-Pad Kit



GROUNDING TOOLS

- 36 Large Diameter Pipe Grounding Clamps
- 37 Ground Clamp & Pliers & Replacements
- 38 Multi-Angle Grounding Magnet
- 39 PowerBase™ Grounding Magnets
- 39 Magnetic Grounding Grasshopper



SPECIAL TOOLS

- 40 Grasshoppers
- 41 Hole Plug Magnet
- 41 Sheet Metal Magnets
- 42 Grinder Rests
- 43 Arm & Wrist Rests
- 44 MIG Torch Rests
- 45 MIG Pliers
- 46 TIG Torch Rests
- 47 Universal Rests
- 47 Table Edge TIG Rest
- 48 TIG Feeder
- 48 TIG Part Organizer
- 49 TIG Feeder Stand w/ Magnetic Base
- 49 Magnetic Panel Holder



THE "THIRD HAND" CLAMPS

- 50 Portable 3-Axis Clamp Kit
- 50 The Third Hand Modular Clamps
- 51 MagHold™ Extendable Arm
- 51 Snake Magnets



MAG-LEVELS

- 52 EZ-view 3-axis level
- 52 Mag-Level
- 53 EZ View Conduit Level



TABLE CLAMPS

- 54 Drill Press Clamp
- 54 Non Twisting Shark Clamps
- 55 Half Clamp
- 55 Hold Down Clamp
- 56 Leaf Spring Clamps



SPECIAL / SHOP TOOLS

- 57 Magnetic Welding Gauge
- 58 Chisels
- 60 EZ-View Gas Cylinder Valve Indicators
- 60 Power Strips
- 61 Tool Pouches
- 62 Gas Hooks
- 63 Gas Grabber
- 63 Cylinder Cart
- 62 Notcher
- 63 Nomad™ Table, Tool Kit & Connector Plate



OTHER PRODUCT LINES

64

* All magnetic force is based on 3/8" thick flat steel surface except where indicated. Magnetic products must be used for tack welding only and removed before completing weld. Avoid prolonged exposure of magnetic products to heat sources of 175°F / 80°C and above.

* All product, product specifications and data are subject to change without notice to improve reliability, function, design or otherwise. Please check online for updated information and details.

* WARNING: Cancer and Reproductive Harm - www.P65Warnings.ca.gov

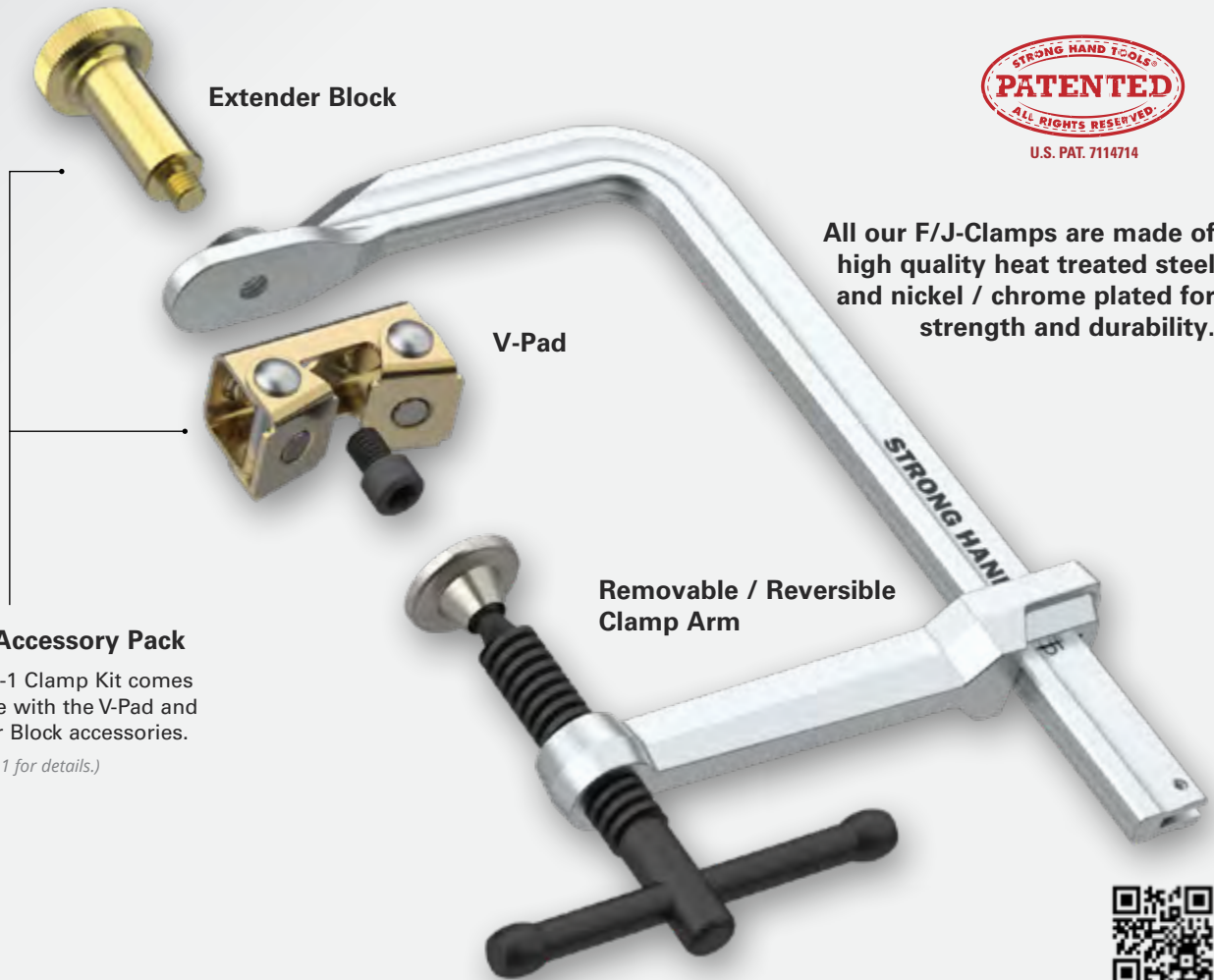


4-IN-1™ F-Clamps

The most versatile Sliding Arm Clamps in the market.



All our F/J-Clamps are made of high quality heat treated steel and nickel / chrome plated for strength and durability.



Extender Block

V-Pad

Removable / Reversible Clamp Arm

4-in-1 Accessory Pack

The 4-IN-1 Clamp Kit comes complete with the V-Pad and Extender Block accessories.

(See page 11 for details.)



4 functions in 1 Clamp



1

Standard

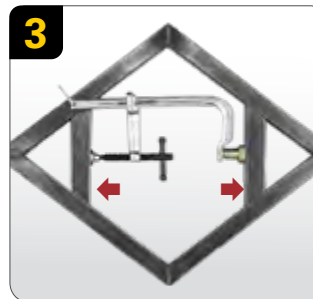
Sliding Arm Clamps are 10x faster than a C-Clamp!



2

Pipe

Add the exclusive V-Pad to create a Pipe Clamp!



3

Spreader

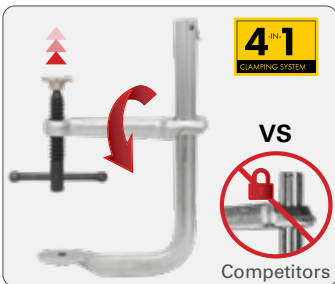
Reverse the clamp arm and create a Spreader Clamp.



4

Step-Over

Add the Extender Block to create a Step-Over Clamp.



Clamp Arm

**- Removable
- Reversible**



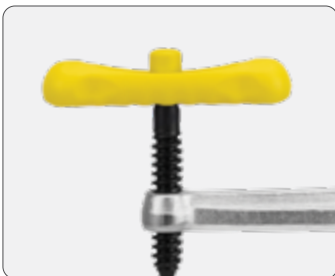
UD Models:

Remove the Key Ring.



UE, UF, UG, UM Models:

Quickest Removal: Press the Spring Stop to slide the clamp arm ON & OFF



Ergonomic Comfort Handle included with G/M Rail

UG Models: Plastic Handle + Cap

UM Models: Plastic handle ONLY



UP Models:

Removable Fasteners

4-IN-1™ F-Clamps

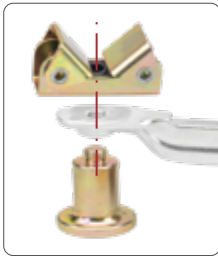
The most versatile Sliding Arm Clamps in the market.



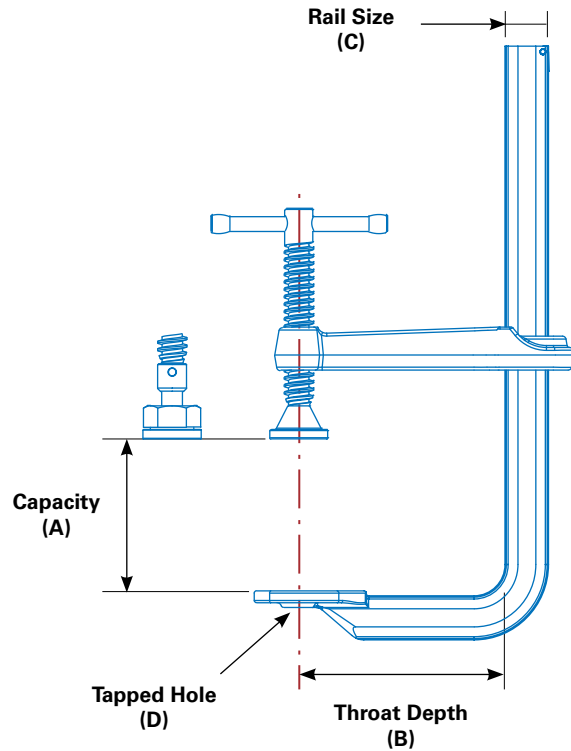
Standard Pad



**Self-aligning
Replaceable Heavy
Duty Pad**



Tapped Hole - (D)
For attaching accessories
such as the V-Pad or
Extender Block.



4-IN-1™ F-CLAMPS

Part No.	Capacity - A (in)	Throat Depth - B (in)	Clamping Pressure (lb)	Pads	Rail Size - C (in)	Tapped Hole - D	Weight (lb)
UD45-C3	4-1/2	3-1/4	500	Standard	5/8 x 5/16	5/16-18	1.3
UD65-C3	6-1/2	3-1/4	500	Standard	5/8 x 5/16	5/16-18	1.6
UF65-C3	6-1/2	4-3/4	1,000	Standard	7/8 x 7/16	3/8-16	2.9
UG85-C3	8-1/2	4-3/4	1,200	Standard	1 x 15/32	3/8-16	4.1
UG125-C3	12-1/2	4-3/4	1,200	Standard	1 x 15/32	3/8-16	4.5
UG1257-C3	12-1/2	⁷ <i>Deep Throat</i>	800	Standard	1 x 15/32	3/8-16	6.5
UM85P-C3	8-1/2	5-1/2	2,400	Standard	1-3/16 x 9/16	3/8-16	6.6
UM105P-C3	10-1/2	5-1/2	2,400	Standard	1-3/16 x 9/16	3/8-16	7.4
UG85XG-C3	8-1/2	4-3/4	1,200	Heavy Duty	1 x 15/32	3/8-16	4.5
UG125XG-C3	12-1/2	4-3/4	1,200	Heavy Duty	1 x 15/32	3/8-16	4.9
UM85-C3	8-1/2	5-1/2	2,400	Heavy Duty	1-3/16 x 9/16	3/8-16	7.0
UM125-C3 <i>BEST SELLER</i>	12-1/2	5-1/2	2,400	Heavy Duty	1-3/16 x 9/16	3/8-16	7.6
UM165-C3	16-1/2	5-1/2	2,400	Heavy Duty	1-3/16 x 9/16	3/8-16	8.7
UM205-C3	20-1/2	5-1/2	2,400	Heavy Duty	1-3/16 x 9/16	3/8-16	9.8
UP205-C3	20-1/2	⁷ <i>Deep Throat</i>	4,800	Heavy Duty	1-9/16 x 3/4	3/8-16	16.1

F-Clamps

Set-up 10x faster than a C-Clamp!



Clamping Pressure: 500 lb

Standard Pad

Key Ring Stop



LIGHT DUTY

Part No.	Capacity - A (in)	Throat Depth - B (in)	Clamping Pressure (lb)	Rail Size - C (in)	Tapped Hole - D	Weight (lb)
UD45	4-1/2	3-1/4	500	5/8 x 5/16	5/16-18	1.0
UD65	6-1/2	3-1/4	500	5/8 x 5/16	5/16-18	1.1
UD85	8-1/2	3-1/4	500	5/8 x 5/16	5/16-18	1.2

Clamping Pressure: 800-2,400 lb

Comfort Handle

Spring Stop



MEDIUM DUTY

Come with Standard Pad

Part No.	Capacity - A (in)	Throat Depth - B (in)	Clamping Pressure (lb)	Rail Size - C (in)	Tapped Hole - D	Weight (lb)
UE85	8-1/2	4	850	25/32 x 3/8	3/8-16	2.3
UE125	12-1/2	4	850	25/32 x 3/8	3/8-16	2.5
UF65	6-1/2	4-3/4	1,000	7/8 x 7/16	3/8-16	2.4
UF100	10	4-3/4	1,000	7/8 x 7/16	3/8-16	2.8
UG85	8-1/2	4-3/4	1,200	1 x 15/32	3/8-16	3.6
UG125	12-1/2	4-3/4	1,200	1 x 15/32	3/8-16	4.0
UG205	20-1/2	4-3/4	1,200	1 x 15/32	3/8-16	4.8
UG1257	12-1/2	⁷ Deep Throat	800	1 x 15/32	3/8-16	5.0
UG1657	16-1/2	⁷ Deep Throat	800	1 x 15/32	3/8-16	5.3
UM85P	8-1/2	5-1/2	2,400	1-3/16 x 9/16	3/8-16	5.7
UM105P	10-1/2	5-1/2	2,400	1-3/16 x 9/16	3/8-16	6.3
UM125P	12-1/2	5-1/2	2,400	1-3/16 x 9/16	3/8-16	6.4

Come with Heavy Duty Pad

Part No.	Capacity - A (in)	Throat Depth - B (in)	Clamping Pressure (lb)	Rail Size - C (in)	Tapped Hole - D	Weight (lb)
UG85XG	8-1/2	4-3/4	1,200	1 x 15/32	3/8-16	4.0
UG125XG	12-1/2	4-3/4	1,200	1 x 15/32	3/8-16	4.4
UM65	6-1/2	5-1/2	2,400	1-3/16 x 9/16	3/8-16	5.4
UM85	8-1/2	5-1/2	2,400	1-3/16 x 9/16	3/8-16	5.9
UM105	10-1/2	5-1/2	2,400	1-3/16 x 9/16	3/8-16	6.4
UM125	12-1/2	5-1/2	2,400	1-3/16 x 9/16	3/8-16	7.0
UM165	16-1/2	5-1/2	2,400	1-3/16 x 9/16	3/8-16	7.6
UM205	20-1/2	5-1/2	2,400	1-3/16 x 9/16	3/8-16	8.7

F-Clamps

Set-up 10x faster than a C-Clamp!

HEAVY DUTY

Clamping Pressure: 4,800 lb
Heavy Duty Replaceable Pads



Part No.	Capacity - A (in)	Throat Depth - B (in)	Clamping Pressure (lb)	Rail Size - C (in)	Tapped Hole - D	Weight (lb)
UP125	12-1/2	7	4,800	1-9/16 x 3/4	3/8-16	12.3
UP165	16-1/2	7	4,800	1-9/16 x 3/4	3/8-16	13.6
UP205	20-1/2	7	4,800	1-9/16 x 3/4	3/8-16	15.0
UP245	24-1/2	7	4,800	1-9/16 x 3/4	3/8-16	16.5
UP405	40-1/2	7	4,800	1-9/16 x 3/4	3/8-16	22.0
UP605	60-1/2	7	4,800	1-5/8 x 3/4	3/8-16	28.0

J-CLAMP STEP-OVER



UD, UF, UG Series



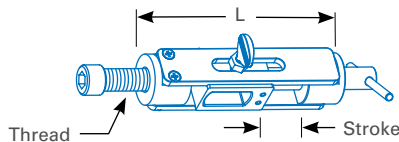
** UM Series come with Heavy Duty Replaceable Pads*

Part No.	Capacity - A (in)	Throat Depth - B (in)	Clamping Pressure (lb)	Rail Size - C (in)	Tapped Hole - D	Weight (lb)
UD45J	4-1/2	3-1/4 (2)	500	5/8 x 5/16	3/8-16	1.2
UF100J	10	4-3/4 (3)	1,000	7/8 x 7/16	3/8-16	3.2
UG105J	10-1/2	4-3/4 (3)	1,200	1 x 15/32	3/8-16	5.0

Part No.	Capacity - A (in)	Throat Depth - B (in)	Clamping Pressure (lb)	Rail Size - C (in)	Tapped Hole - D	Weight (lb)
UM125J *	12-1/2	5-1/2 (4)	2,400	1-3/16 x 9/16	3/8-16	8.1
UM205J *	20-1/2	5-1/2 (4)	2,400	1-3/16 x 9/16	3/8-16	9.2

SLIDE-ON SIDEKICKS

Mount onto sliding arm clamps to gain side clamping abilities. Stroke and reach of clamp can be modified by changing the pad with a longer or shorter fastener.



Part No.	L (in)	Stroke (in)	Thread	For Clamps	Weight (lb)
XDS	3-1/8	1	3/8-16	UD Series	0.6
XFS	4-3/8	1-3/8	1/2-13	UF Series	1.2
XGS	4-3/8	1-3/8	1/2-13	UG Series	1.2
XMS	4-3/8	1-3/8	1/2-13	UM Series	1.2

Ratchet Action & MagSpring™ Clamps

Quick-Set Clamps for fast, convenient clamping.

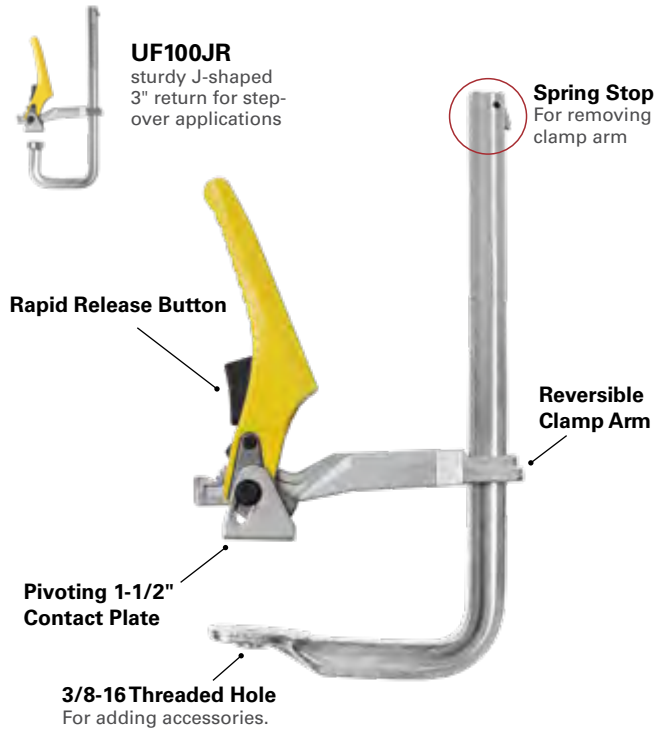


RATCHET ACTION CLAMPS

Ratchet mechanism ensures rapid, vibration and torsion resistant clamping.

- Quick to setup, unlock, and remove in high volume clamping applications.
- Even clamping pressure. Ideal for repetitive clamping setups.

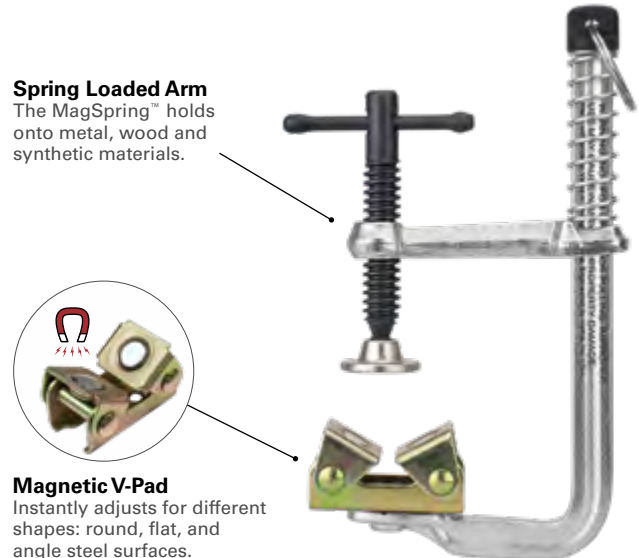
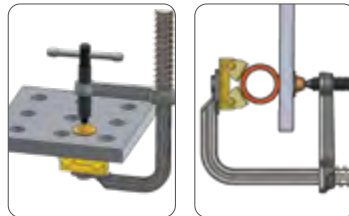
Part No.	Capacity (in)	Clamping Pressure (lb)	Rail Size (in)	Weight (lb)
UF65R	7	1,000	7/8 x 7/16	2.6
UF100R	10	1,000	7/8 x 7/16	3.0
UF100JR	10	1,000	7/8 x 7/16	3.1
UG85R	8-1/2	1,200	1 x 15/32	3.6
UG125R	12-1/2	1,200	1 x 15/32	4.8
UG205R	20-1/2	1,200	1 x 15/32	5.8



MAGSPRING™ CLAMPS

The spring-loaded, one-handed clamp with quick-set V-Pad.

The Spring Arm in conjunction with the V-Pad allows users to free up one hand to position the workpiece.



Quick & Easy to Use!

Squeeze to open Set in Position Turn to Tighten

Part No.	Capacity (in)	Throat Depth (in)	Clamping Pressure (lb)	Tapped Hole (in)	Weight (lb)
UBV65	4-1/2	2-1/2	300	1/4-20	0.9
UDV45	3	3-1/4	500	5/16-18	1.0
UDV65	4-1/2	3-1/4	500	5/16-18	1.1

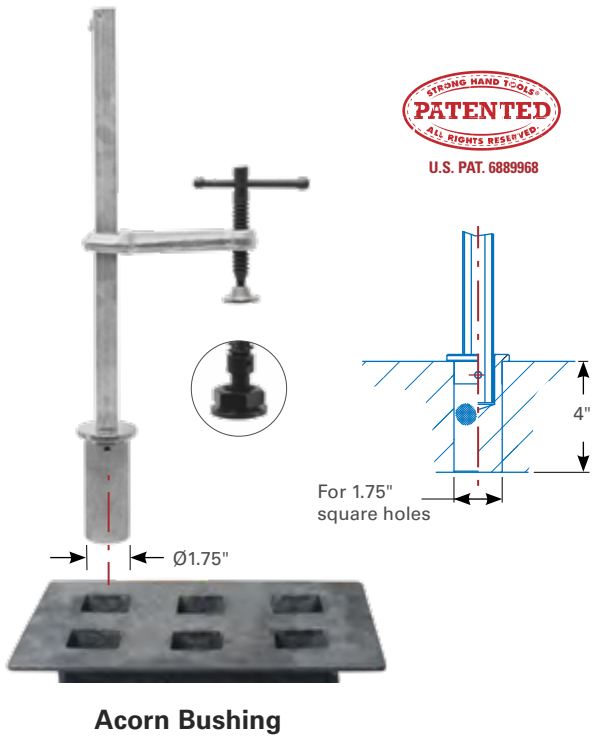
Platen Clamps

Platen and Universal Tabletop Clamps.

MODULAR PLATEN CLAMPS

For fast, secure clamping, simply insert the clamp into the 1-3/4" square hole in your acorn platen. Slide the clamp arm down to the work piece and turn the T-Handle to tighten.

Clamp comes with standard or heavy duty Swivel Pads.



Compatible with clamp accessories such as Sidekick and Top V-Pad.



Part No.	Rail Size	Pad	MAX Clamping Capacity (in)	Throat (in)	Weight (lb)
UF12NA	"F"	Standard	12	4-3/4	5.4
UM12NA	"M"	HD	12	5-1/2	8.0
UM16NA	"M"	HD	16	5-1/2	8.8
UM20NA	"M"	HD	20	5-1/2	9.6

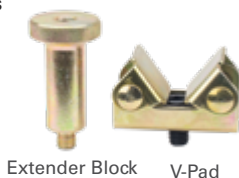


Please check our website BuildProTables.com for more table clamps and pliers information.

For heavy duty models clamps and pliers on PRO28 tables, please visit Pro28Tables.com

4-IN-1 PACKAGES (FOR F-CLAMPS)

Convert all F-Clamps into 4-IN-1 Clamps. Includes a V-pad, an Extender Block, and a screw.



Extender Block V-Pad

* Please check our website for individual Extender Blocks and V-Pads information.

Part No.	V-Pad	Extender Block	For Clamps	Weight (lb)
XDVB	XDV	XDB1	UD Series	0.3
XFVB	XFV	XFB	UE, UF, UG Series	0.6
XMVB	XMV	XMB2	UM, UP Series	1.1
XPVB	XPV	XPB3	UP Series	1.9

F-CLAMPS REPLACEABLE PARTS

Replaceable Arm & Spindle Kits

* Please check our website for individual clamp arms and spindles information



XMR2

Part No.	Replaceable Arm & Spindle Kits	Weight (lb)
XDR	for UD Series	0.5
XER	for UE Series	0.9
XFR	for UF Series	1.2
XGR	for UG Series	1.5
XMR2	for UM (Equipped w/ Heavy Duty Pad)	2.5
XMRP2	for UM (Equipped w/ Standard Pad)	2.3
XPR	for UP Series	4.5

REPLACEABLE PADS

Heavy Duty Replacement joints and pads for UG, UM & UP clamps.



XMJ XMA1
(Roll pin included)

Part No.	Description	Weight (lb)
XGJ	Joint & Pad Kit for UG Clamps	0.2
XMJ	Joint & Pad Kit for UM & UP Clamps	0.4
XGA1	Replacement Pad only for XGJ	0.1
XMA1	Replacement Pad only for XMJ	0.2

Spring-loaded standard pads for light & medium duty clamps.



Part No.	Standard Pads for	Weight (lb)
XDP	UB, UD Series	0.05
XFP	UE, UF, UG Series	0.09

MAGNETIC TOP V-PADS

Add the aluminum magnetic top V-Pad onto the swivel pad to hold round, square, flat, and angled stock.



(Top View)

Part No.	For Clamps	For Pliers	Weight (lb)
T54217	UB, UD Series	PTT522K	0.05
T54219	UE, UF, UG Series	PTT634K, PTT934K, PTT956K	0.05

CLIP-ON TOP V-PADS

Attach to the top of F-Clamps equipped with Standard Pads.



Part No.	Material	For F-Clamps	Weight (lb)
XDA2	Steel	UD Series	0.2
XFA2	Steel	UE, UF, UG Series	0.3
XMA2	Steel	UM, UP Series	0.6
XDA2S	Stainless Steel	UD Series	0.2
XFA2S	Stainless Steel	UE, UF, UG Series	0.3
XMA2S	Stainless Steel	UM, UP Series	0.6

SCREW-ON TOP V-PADS

Attach to the top of F-Clamps equipped with Heavy Duty Pads.



Part No.	Material	For F-Clamps	Weight (lb)
XMA	Steel	UM, UP Series	0.6
XMAS	Stainless Steel	UM, UP Series	0.6



It's so much easier to set-up and hold my work with the On & Off Adjust-O Magnets because I'm not fighting the magnetic force."

- Jason T.



Demo Video

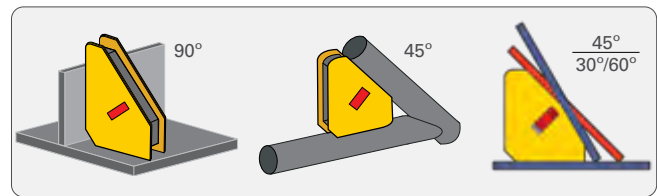
ADJUST-O™ MAGNET SQUARES

The fast & easy way to hold metal workpieces at 30°/ 60°, 45°, and 90°.

Turn the magnet Off or at the MID-POINT position when setting up, turn On when you're ready to work. Fast and safe set-up!

Ideal for round and square tubing, angle, and flat stock.

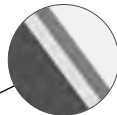
Easy to clean. Simply turn Off and wipe.



Made with strong rare earth magnets. Fully enclosed for easier cleaning.

On/Off Switch

Mid point switch position: for alignment / easy part placement.



DOUBLE Plate
Optimize magnetic force (-HD models)

MSA53-HD



Multi-Angles:
30°/60°, 45°, 90°

MSA45 MSA46-HD MSA47 MSA48-HD MSA53-HD

Part No.	Max. Pull Force (lb)	Dimension (in)	Weight (lb)
MSA45	65	4.4 x 3.8 x 1	1.0
MSA46-HD	90	4.4 x 3.8 x 1.1	1.5
MSA47	75	6 x 5.1 x 1.3	2.2
MSA48-HD	160	6 x 5.1 x 1.4	3.0
MSA53-HD	140	6 x 5.1 x 1.4	3.0

OPTIONAL ACCESSORIES

Third-Axis Magnetic Posts include three posts per set.

Quickly and easily set-up 3-sided work such as tank and gusset. Use on either side of the magnet squares.



MXE13



Part No.	Max. Pull Force (lb)	Weight (lb)
MXE13	16	0.2

XMT30 are 3 tabs for MSA Magnets to position and align your stock materials properly.



XMT30



Part No.	Weight (lb)
MXE13	0.2

Adjust-O™ Dual Switch Magnet Squares

Angle magnet squares with the convenience of On/Off switches.

ADJUST-O™ 90° DUAL SWITCH MAGNET SQUARES

For professional jobs that demand strong hold down forces.

Holds flat and round metal work pieces.

- Two On/Off switches for independent operation.
- Turn the magnets Off when setting up, turn On when you're ready to work. Easy and safe set-up!
- Machined flat and V-surfaces are ideal for round and square tubing, angle, and flat stock.
- Choose from 120 - 265 lb pull force.



Part No.	Max. Pull Force (lb)	Dimension (in)	Weight (lb)
MS2-80	120	6 x 6 x 1-1/2	2.7
MS2-90	265	7-3/4 x 7-3/4 x 1-7/8	6.0

ADJUST-O™ ANGLE MAGNET

- Adjustable from 30° - 275° with two On/Off switches.
- Machined flat surfaces and nickel/chrome body.
- V-Groove surfaces securely hold round and square tubing, angle, and flat stock.



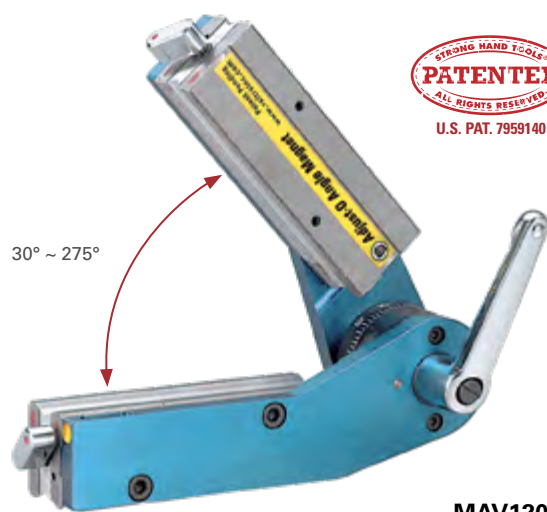
Machined V-Groove
For holding round & flat stock.



Calibration w/ Vernier



2 x On/Off Switch



STRONG HAND TOOLS
PATENTED
ALL RIGHTS RESERVED
U.S. PAT. 7959140



Part No.	Angles	Max. Pull Force (lb)	Dimension (in)	Weight (lb)
MAV120	30° ~ 275°	110	7-3/4 x 7-3/4 x 3-3/4	5.3

Heavy Duty & Multi-Angle Magnets

Tools for sheet metal and large stock holding.

A-FRAME HD MAGNET

For large and heavy stock holding.

Larger / wider magnets with large contact surface and stability. ON/OFF switches function with weaker force when lever at **MID-POSITION**, for adjustment / placement of parts.



Part No.	Max. Pull Force TOTAL (lb)	Dimension (in)	Weight (lb)
MS2-300	265	13 x 13 x 1.3	8.8

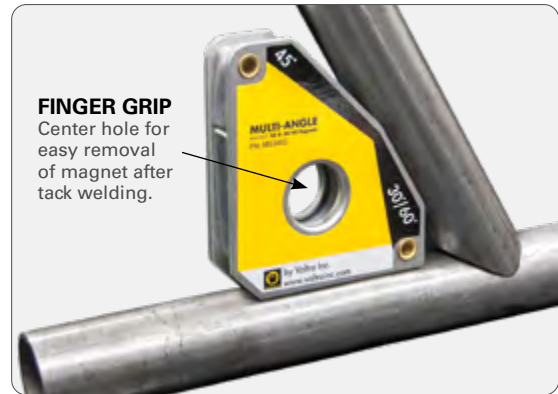
STANDARD MAGNET SQUARES

Holding at multiple angles while soldering, brazing, and welding at 30°/60°, 45°, and 90°.

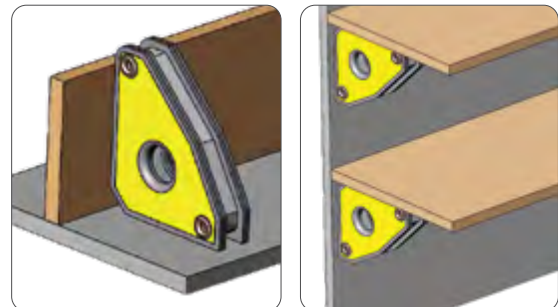
- Center hole for easy handling.
- Aluminium enclosed for easier cleaning.



MS346B Multi-Angle
MS346C Multi-Angle
MS45 45°, 90°
MS60 60°, 90°



Part No.	Angles	Max. Pull Force (lb)	Dimension (in)	Weight (lb)
MS346B	30°/60°, 45°, 90°	65	3-5/32 x 3 x 13/16	0.9
MS346C <i>BEST SELLER</i>	30°/60°, 45°, 90°	85	4-3/8 x 3-3/4 x 7/8	1.8
MS45	45°, 90°	65	4-3/8 x 3-3/4 x 3/4	1.0
MS60	60°, 90°	55	4-3/8 x 3-3/4 x 3/4	1.0



Mini & XYZ Magnet Squares

Unique 30°/60°, 45° and 90° angle combination.



MINI MAGNET SQUARES

Mini Magnets at just 2-5/16" in height provide low profile holding of stock in tight, hard to reach areas.

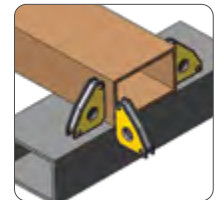
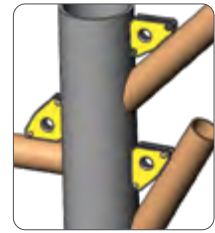
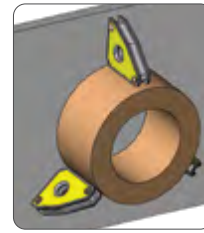
Use as many as needed for light duty holding of stock at multiple points.

Insert a screwdriver into the center hole to apply breakaway force.

Full aluminum rim enclosure for easy cleaning.



MS346AT
Mini Multi Angle



Part No.	Package	Angles	Max. Pull Force (lb)	Dimension (in)	Weight (lb)
MS346AT	Twin Pack	30°/60°, 45°, 90°	25	2-5/16 x 2 x 5/8	0.6
MS346AK	6-Pack	30°/60°, 45°, 90°	25	2-5/16 x 2 x 5/8	1.7

XYZ MAGNET SQUARES

Quickly & easily set-up 2 or 3-Axis workpieces, such as gussets and steel panels.

Unique Magnetic Face Plate features two rare earth disc magnets for 3rd axis holding.

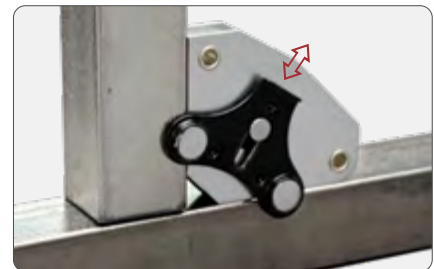
Rotate and **slide** Magnetic Face Plate into position as needed for each unique applications.

Use the face plate as an edge guide when joining square tubes and sheet metal.



MST348

Retractable, Rotatable Magnetic Face Plate



The face plate can be slid out of the boundary edges as edge guide.



Gusset Holding

Part No.	Package	Angles	Max. Pull Force (lb)	Dimension (in)	Weight (lb)
MST348	Twin Pack	30°/60°, 45°, 90°	25	2-5/16 x 2 x 7/8	0.6

Inside Outside Angle Magnets

Hold stock using the Inside or Outside edges!



MLDT350

MLD600

Two magnets inside + double plates for maximum pull

Fully enclosed

Breakaway leverage hole

Mounting hole

MLA450

Narrow profile for use in tight spots.

Angle setting pin

MLA600

Long edge

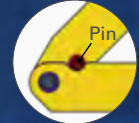
Adjustable magnet for angles from 30°~270°.

Allen wrench (incl.) to lock angle.

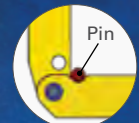
Angles Setting Pin



30°



45°



90°

Hold stock from the outside when inside access is difficult.

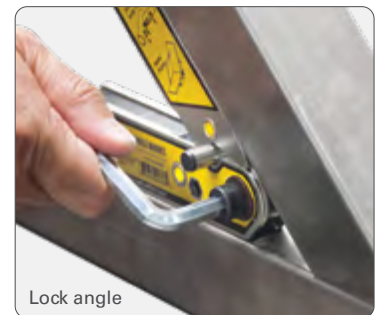
Hold and position sheet metal, round pipes, square, angled or flat stock.

The Inside / Outside Angle Magnets are constructed from two independent rectangular magnets for consistent, undiminished magnetic force when both sides are attached to workpieces.

Use hex hole on magnet for breakaway leverage.



Demo Video



Part No.	Description	Height (in)	Width (in)	Thickness (in)	Mag. Pull Force (lb)	Weight (lb)
MLDT350	Combo Pack, 1x MLD300 + 1x MLD500 (MLD300 and MLD500 not to be sold separately)					1
(MLD300) (MLD500)	Fixed Angle, 90°, 30°/60°	3 5	2 3.35	0.55 0.7	20 33	
MLD600	Fixed Angle, 90°, 30°/60°	6	4.33	0.79	40	1.7
MLA450	Adjustable Angle, 30 ~ 270°	4.7	4.7	0.72	26	1.2
MLA600	Adjustable Angle, 30 ~ 270°	6	6	0.79	33	2

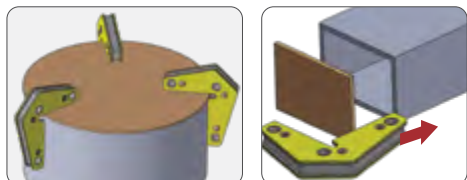
Corner Magnets & V-Pad Kits

Ideal for positioning and holding sheet metal for butt welding.



CORNER MAGNETS

- Create 90° corners by holding from the outside, providing you with an unobstructed area for inside tack welds.
- One side corner “relief” provides clearance for tall lips.
- Use the outer edges of the Corner Magnet for setting up materials at 60°.



The compact and low profile Corner Magnet is ideal for light duty holding of stock at 90°.



Use the outer edges of the Corner Magnet to hold stock at 120°.

Part No.	Description	Dimension (in)	Max. Pull Force (lb)	Weight (lb)
MST327	Twin Pack 90° & 60°	3-1/4 x 3-3/4 x 5/8	30	0.9

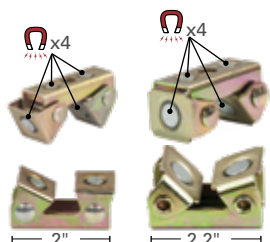
MAGHOLD™ V-PAD KITS

Light duty & tight spot holding! Build, Hold, and Position steel.

Hold and position round, flat, and square parts in light duty sub-assembly applications!

Small & Medium V-Pads

Magnets on both pad face & the bottom.



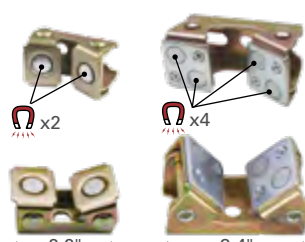
(XDV4)
Max. Pull Force: 12 lb.

(XFV4)
Max. Pull Force: 18 lb.

MVDF44

Medium & Large V-Pads

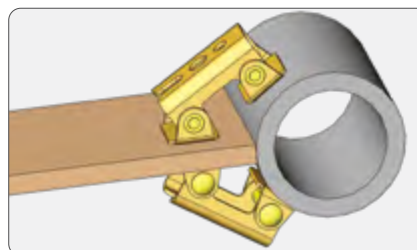
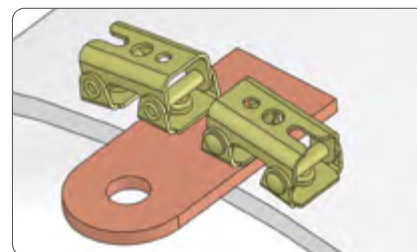
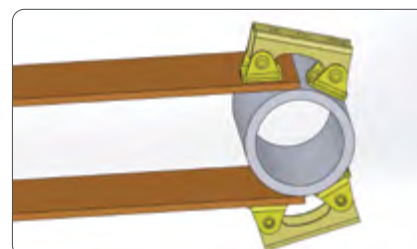
Magnets on the pad face only



(XFV2)
Max. Pull Force: 18 lb.

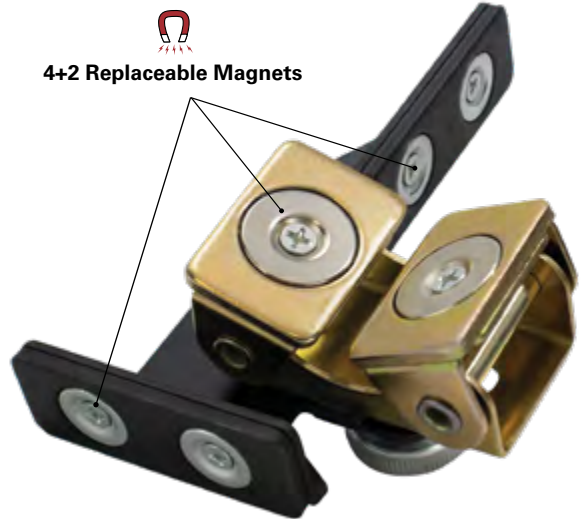
(XNV2)
Max. Pull Force: 35 lb.

MVFN46



Part No.	Description	Kit Contents	Weight (lb)
MVDF44	Small & Medium V-Pads	2 pcs. V-Pads (XDV4) + 2 pcs. V-Pads (XFV4)	0.9
MVFN46	Medium & Large V-Pads	2 pcs. V-Pads (XFV2) + 2 pcs. V-Pads (XNV2)	2.1

NEW ITEM



3X STRONGER, Better Accuracy MET11

A better, faster way to magnetically hold tabs in place.

- **New 2.0:** Available with more magnets that are now fully replaceable and provide 3X more magnetic holding force than the original design.
- **Magnetic Holding:** Hold tabs and small metal pieces, parallel or perpendicular to your substructure.
- **V-Pads:** MagTabs feature an integrated V-Pad that allows you to magnetically attach to various types of surface shapes; flat, curved, or with varying angles.

* Remove the MagTab bracket to use the Adjustable Magnetic V-Pad for light duty holding of steel plates. See page 17 for details.



We replaced the wing nut with a knurled knob that offers better grip and comfort when tightening to lock in the tab location.

Slot on the MagTab bracket for workpiece alignment.



MNT15



MFT10



REPLACEMENT MAGNETS

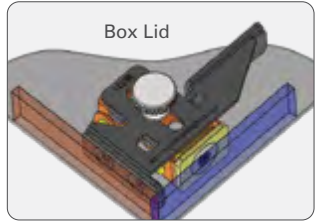
Compatible with MagTab 2.0 featuring replaceable magnets.



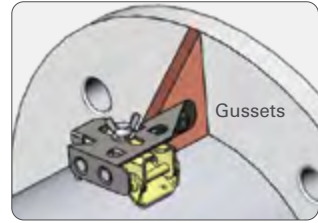
Part No.	Dimension (in)	Max. Pull Force (lb)	Weight (lb)
MNT15	5.2 x 4.5 x 2.8	80	1.0
MET11	4.5 x 2.6 x 2	44	0.6
MFT10	4 x 3 x 1.3	18	0.5

Part No.	Descriptions	Weight (lb)
MRP8	Replacement Magnets for MET11, 4 + 2 pc.	0.1
MET16	1x MET11 + 1x MRP8	0.7

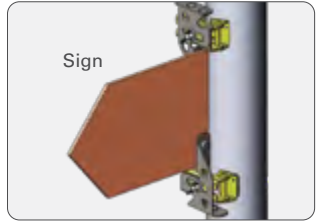
*Magnetic force is based on 0.08" flat steel surface.



Box Lid



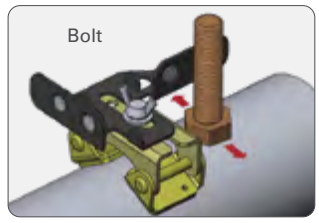
Gussets



Sign



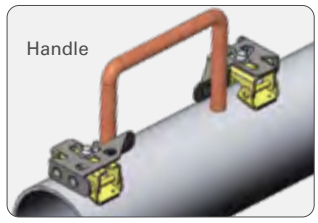
Hook



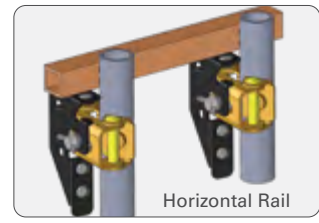
Bolt



Tabs



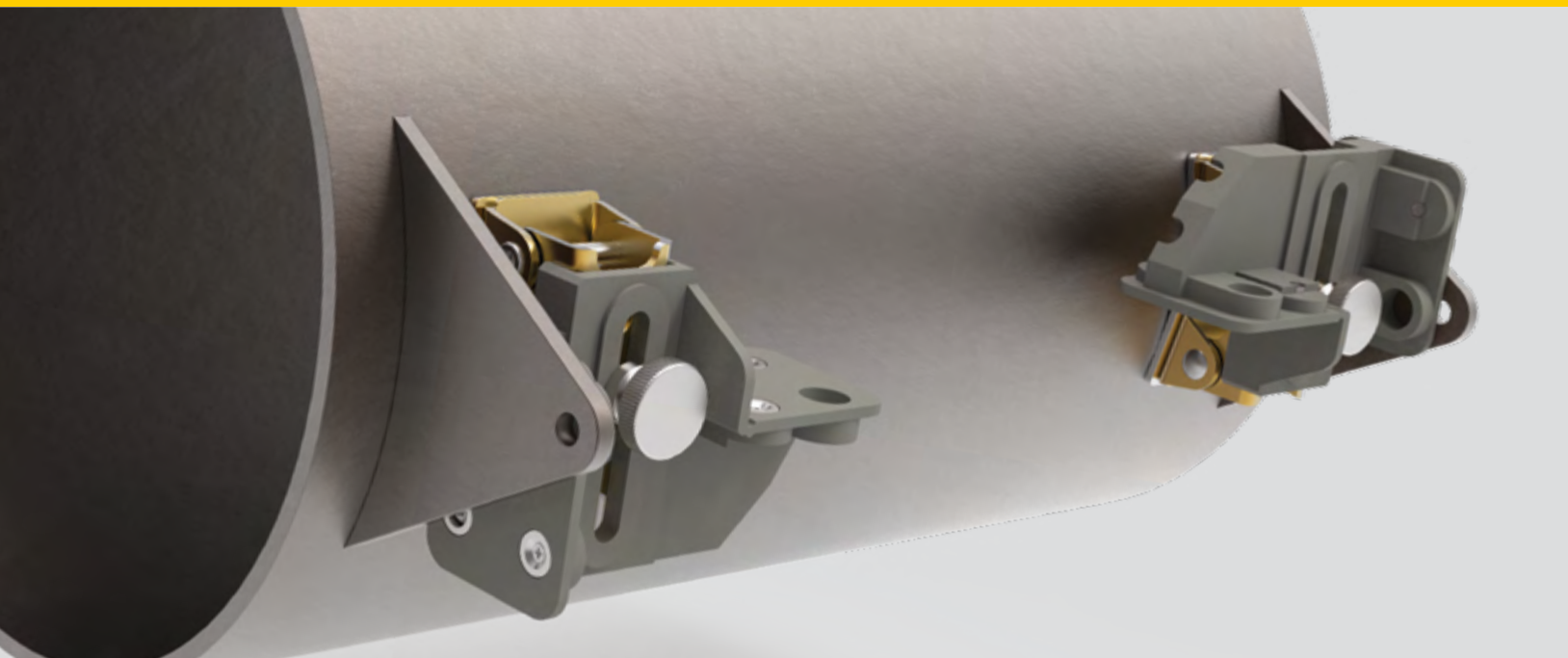
Handle



Horizontal Rail

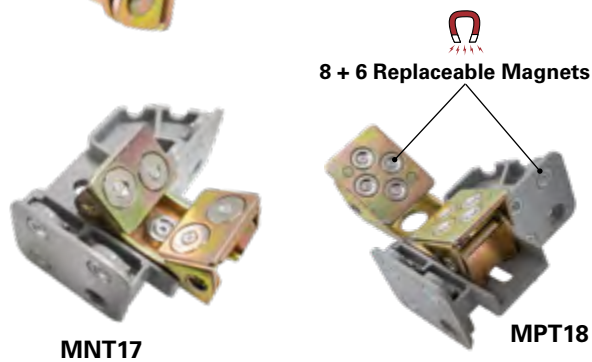
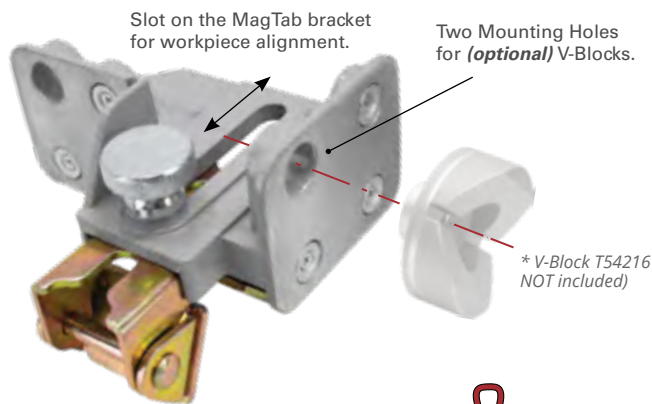
MagTab Pro

More magnetic force, and a heavy duty build for larger tabs and metal pieces.



Designed and build from a single piece of cast aluminum, the MagTab PRO provides solid and sturdy magnetic holding of tabs in larger applications.

- **Replaceable Magnets:** MagTab PRO features fully replaceable magnets that allow you to quickly and easily change out weak or damaged magnets.
- **V-Pads:** The integrated V-Pad allows you to magnetically attach to various types of surface shapes; flat, curved or with multiple angles.
- Two 5/8" holes that allow you to use (optional) V-Blocks when needing to hold on to different diameter size tubes.



NEW ITEM

Part No.	Dimension (in)	Max. Pull Force (lb)	Weight (lb)
MNT17	5.2 x 3.9 x 3.4	35	1.8
MPT18	6.4 x 5.3 x 3.5	66	2.1

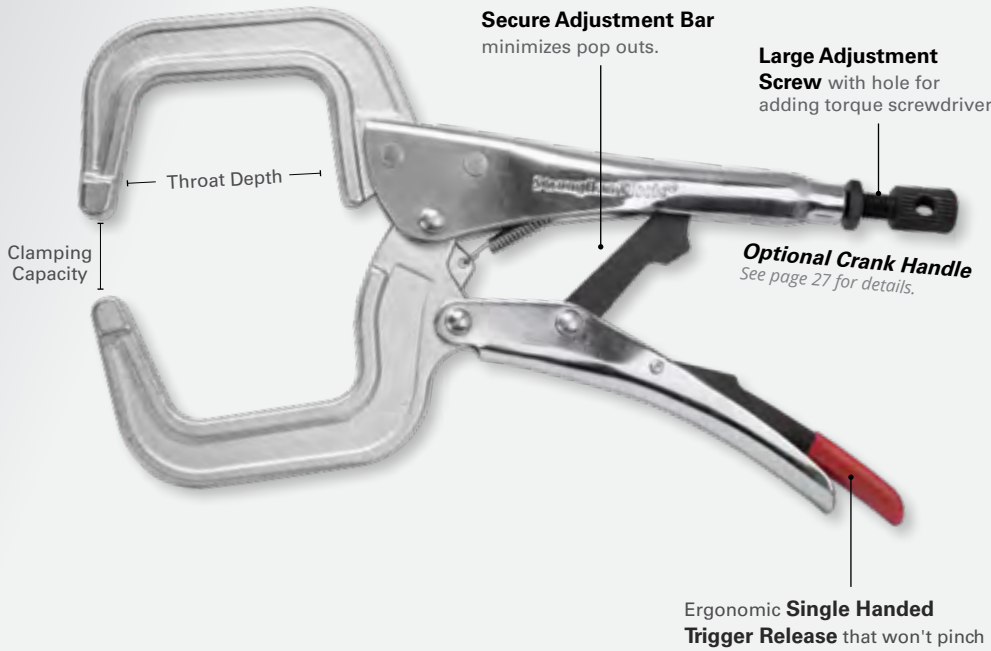
Part No.	Descriptions	Weight (lb)
MRP9	Replacement Magnets for MNT17, 4 + 6 pc.	0.1
MRP13	Replacement Magnets for MPT18, 8 + 6 pc.	0.2

*Magnetic force is based on 0.4" flat steel surface.

C-Clamp Locking Pliers

Top Quality Fit and Finish

Made of forged, heat treated steel with nickel and chrome plating for strength and durability. Ergonomic release lever that won't pinch.



Classic **Round Tip**



Swivel Tip for softer materials


Round Tip Models



PR6



PR115

 PB11 Compatible



PR18


Swivel Pad Models



PR6S



PR115S

 PB11 Compatible



PR18S

	Part No.	Overall Length (in)	Throat Depth (in)	MAX Clamping Capacity (in)	Weight (lb)
Round Tip	PR6	6-1/2	1-13/16	2	0.5
	PR115	11	3-1/4	4	2.0
	PR18	18	10	4-1/2	3.0
Swivel Pad	PR6S	6-1/2	1-13/16	1-3/4	0.6
	PR115S	11	3-1/4	4	2.2
	PR18S	18	10	4-1/2	3.1

Pipe Pliers

The convenient way to hold round or square tubes for butt-welding.



PG114V

Ergonomic single handed trigger release that won't pinch.



0° & 45° angle clip in PG635V(S) allows angled clamping.

- Wide opening allows the Pipe Pliers to hold up to 2-1/2" diameter pipes.
- Two V-Pads provide a better clamping surface.
- Adjustable top spindle for holding pipes of varying sizes.

The V-Pads on the Pipe Pliers adapt to many different shapes and sizes. * Magnetic V-Pads and Stainless Steel V-Pads (Part No. XFVS) also available separately. See stronghandtools.com for details.



BEST SELLER



PG622V



PB11 Compatible



PG634V



PB11 Compatible

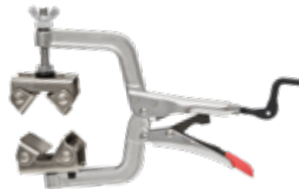
BEST SELLER



PG114V



PG635V



PG635VS



PG115V



PB11 Compatible

Part No.	Top V-Pad	Bottom V-Pad	Throat Depth (in)	MAX Clamping Capacity (in)	Thread	Overall Length (in)	Weight (lb)
PG622V	Fixed	Fixed	2	1 - 2	M8	6	0.8
PG634V	Fixed	Fixed	3	2 - 3	M8	8.5	1.1
PG635V	Adjustable	Magnetic 0° & 45° rotatable	3	1.5 - 2.5	M8	8.5	1.2
PG635VS	Adjustable Stainless Steel	0° & 45° rotatable Stainless Steel	3	1.5 - 2.5	M8	8.5	1.2
PG114V	Fixed	Fixed	3.5	1.5 - 2.5	M10	11	2.8
PG115V	Adjustable	Fixed	3.5	1.5 - 2.5	M10	11	2.9

Large Diameter Pipe Pliers & Pipe Joint Pliers

Large capacity pliers hold up to 6" diameter pipe.

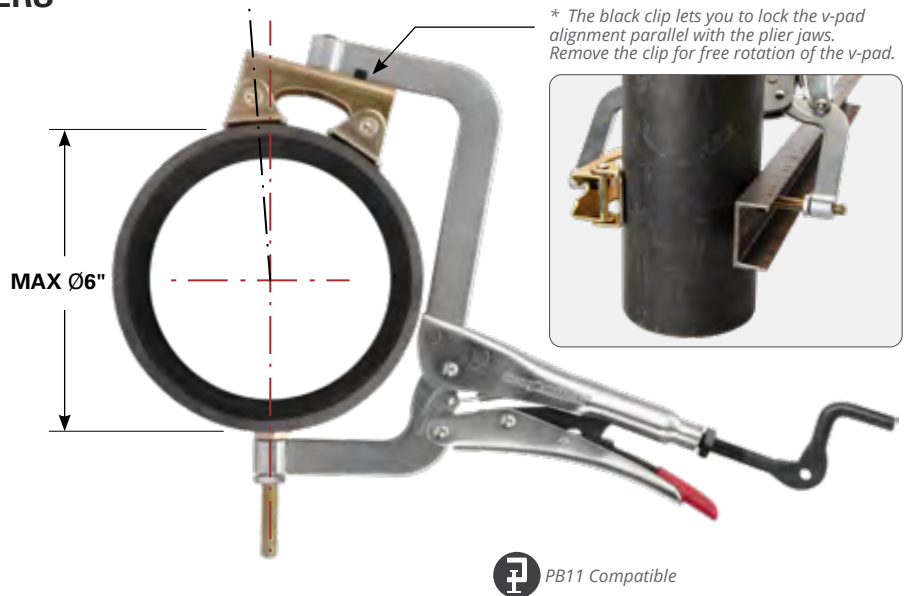
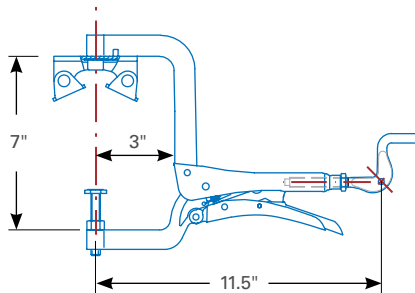
NEW ITEM

LARGE DIAMETER PIPE PLIERS

The V-Pad holds round, square, or angled stock in different sizes.

V-Pad on top jaw and spindle on the bottom jaw securely clamp the round pipe against a flat surface.

Quick-release trigger and unique crank handle for fast, easy jaw opening and pressure adjustment.

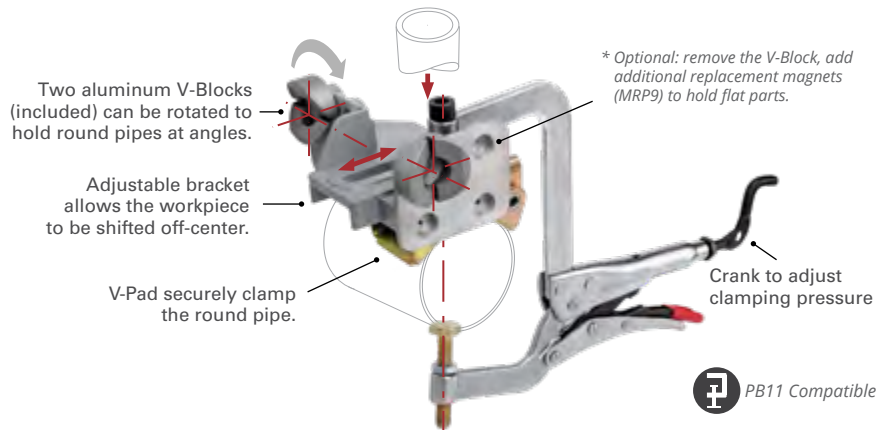


Part No.	MAX Clamping Capacity	Thread	Weight (lb)
PG1107V	6" Diameter	M10	2.8

NEW ITEM

PIPE JOINT PLIERS

- Hold tight, for load-bearing, as much as 50 lb.
- V-Pad on top jaw and spindle on the bottom jaw securely clamp the round pipe against a flat surface.
- Two aluminum V-Blocks on the aluminum bracket can be used with additional pliers or clamps for holding on to different diameter size tubes at different angles.



Use with F-Clamp w/ Clip-on Top V-Pad to hold pipe at 90 degree



Use w/ MagSpring Clamp to join pipe at angle



Use w/ Locking C-Clamp to hold square piece

Part No.	Hold Pipe (in)	Overall Length (in)	Throat Depth (in)	Thread	Weight (lb)
PPJ634	Up to Ø2.5	9.5	3	M8	1.5
PPJ1107	Up to Ø5	11.5	3.1	M10	3.7

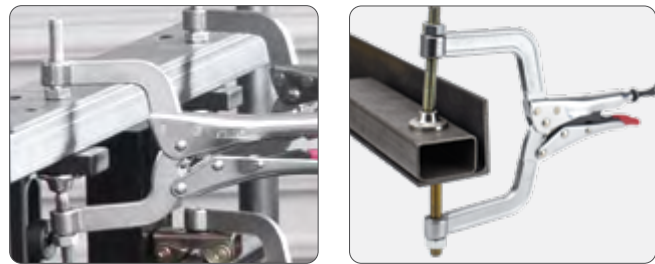
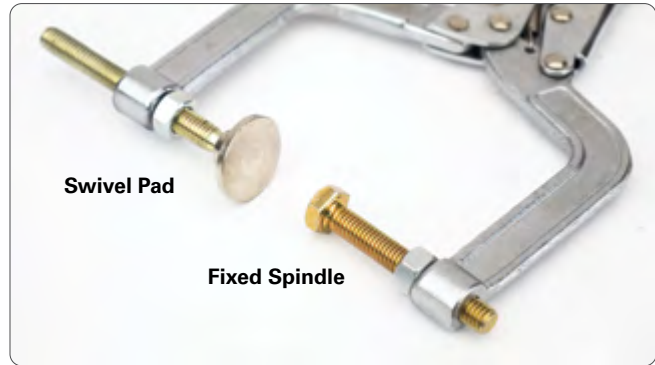
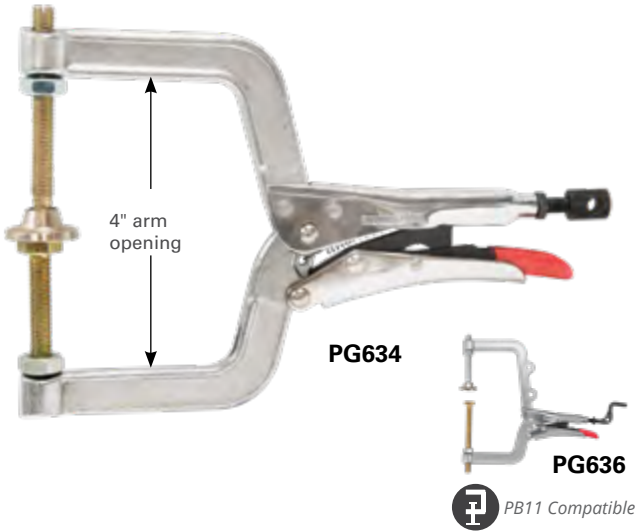
Multi-Purpose & Long Reach Pliers

Swivel and fixed head spindles for flexibility in clamping.



MULTI-PURPOSE PLIERS

One swivel pad spindle and a fixed head spindle for flexible clamping. Threaded jaw holes allow addition of accessories.



Part No.	Overall Length (in)	Throat Depth (in)	MAX Clamping Capacity (in)	Thread	Weight (lb)
PG634	8-1/2	3	4	M8	1
PG636	8-1/2	-	6	M8	1
PG114	11	3-1/2	4	M10	2

ADJUSTABLE REACH AND LONG REACH MULTI-PURPOSE PLIERS

Thread : 3/8-16 | MAX Clamping Capacity : 4"

PGA20

Adjustable Reach Arms. Top Adjustable Spindle: No-mar rubber pads, pivoting head.

Bottom Adjustable spindle: No-mar rubber pads, fixed head.



PGA20S

Adjustable Reach Arms, with top and bottom fixed jaws, pivoting heads, and no-mar rubber pads.



Part No.	Overall Length (in)	Throat Depth (in)	Weight (lb)
PGA20	23 - 29	14, 16, 18, 20	4.8
PGA20S	23 - 29	14, 16, 18, 20	4.8

Strong Grip® Pliers

The Easiest to GRIP, ADJUST, RELEASE.



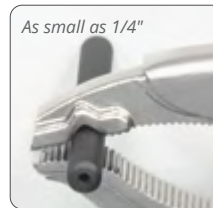
BIG MOUTH PLIERS

Four Adjustment Slots - Large Capacity

- Unique crank handle for FAST opening, closing and in-situ pressure adjustment.
- Serrated jaw surfaces for extra gripping power.
- V-Notch on top jaw for holding small parts.
- Long jaw (2-1/2") for extra capacity and greater versatility in workholding.
- Keep this versatile tool on hand for fast clamping in a variety of jobs!



PB11 Compatible



V-Notch for small parts



Four Adjustment Slots



Minimal Hand Spread, easy to grasp w/ one hand

Part No.	MAX Clamping Capacity (in)	Throat Depth (in)	Overall Length (in)	Weight (lb)
PAJ100	1/4 ~ 3	2-1/2	10	1.5
PAJ207	1/4 ~ 3	2-1/2	10	2.2

* See page 37 for details of Grounding Big Mouth Pliers - PAJ207.

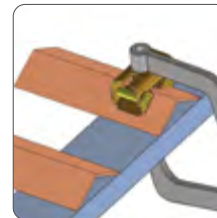
Unique and Versatile!

ECONOMY PIPE PLIERS

Large Capacity (3")! Holds round, square, flat or angled. The large (1.5" dia.) swivel pad makes alignment easier!



PB11 Compatible



Part No.	MAX Clamping Capacity Round / Square (in)	Overall Length (in)	Weight (lb)
PVS100	up to 3	14	2.2

Unique and Convenient!

C-JAW PLIERS WITH HAMMER HEAD

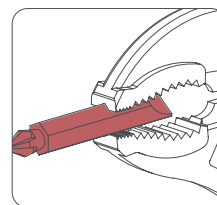
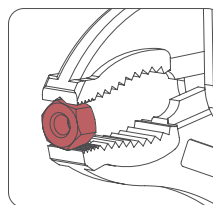
Unique design provides a convenient hammer when you need it, where you need it! Unique V-groove for twisting wires, pulling pins, loosening nuts and screw heads.

Features Hammer Head
Flat faces for ramming



Wire Cutter

PB11 Compatible



Part No.	MAX Clamping Capacity (in)	Overall Length (in)	Weight (lb)
PCH10	1.5	12	1.4

Strong Grip® Pliers & Expand-O™ Pliers

The Easiest to GRIP, ADJUST, RELEASE.



Unique!

SLIDE HAMMER PUSH/PULL PLIERS

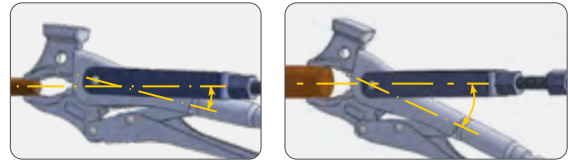
An essential pulling, pushing, ramming tool for the die-maker, maintenance craftsman, and auto repair shop mechanic. Pull Rod mounts in the swing handle, or in the M10 threaded hole for 2-axis pulling or pushing.



Side Pull



SELF Aligning pull bar accommodates different part thickness

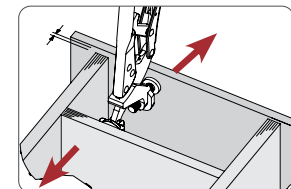
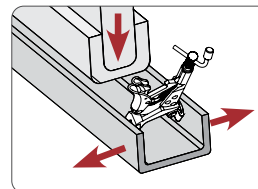
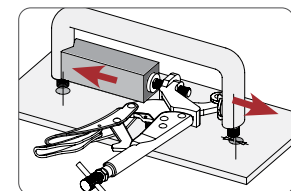
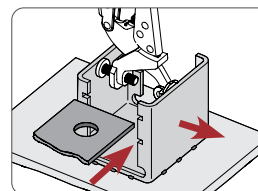
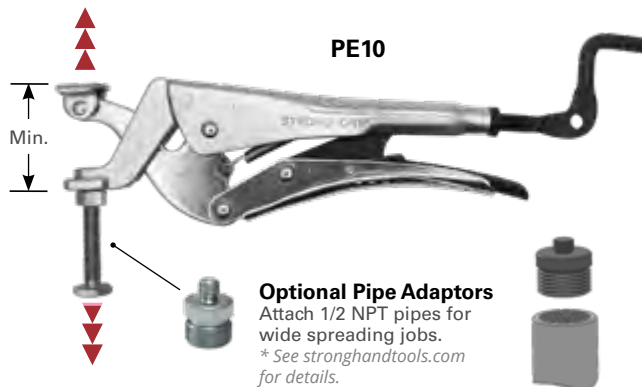


Part No.	MAX Clamping Capacity (in)	Overall Length (in)	Weight (lb)
PPD100	1.6	28	3.8

EXPAND-O™ PLIERS

Unique, Reverse-Action Clamping Pliers!

Jaws move in opposite directions to push against two surfaces.



Part No.	Overall Length (in)	Clamping Pressure (lb)	Thread (in)	Min. (in)	Max. (in)	Weight (lb)
PE6	6-1/2	500	5/16-18	1	1-3/4	0.5
PE10	10	900	3/8-16	1-3/8	2-3/4	1.8

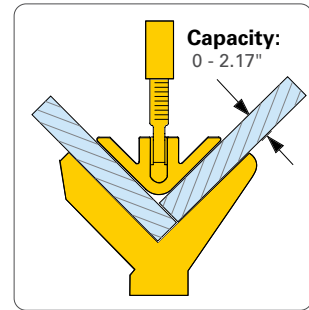
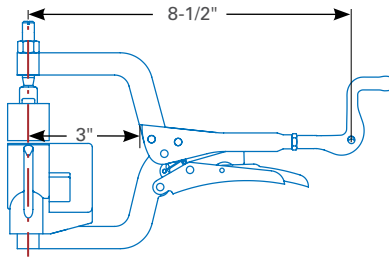
JointMaster™ Angle Clamping Tools

Fast, precise and affordable clamping tools for corners and T-joints.

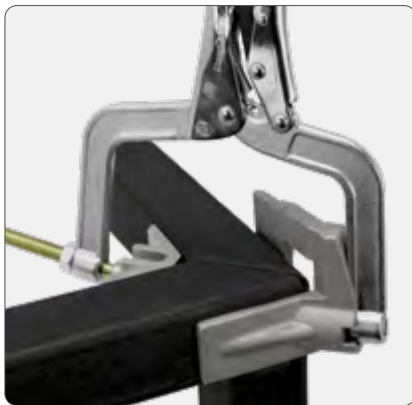
PL634

The **single-hand** JointMaster™

- Ideal for quick hold and release on metal, wood & synthetic materials.
- A "helping hand" to hold stock firmly at right angles.
- Comes with 1 pair of pliers.



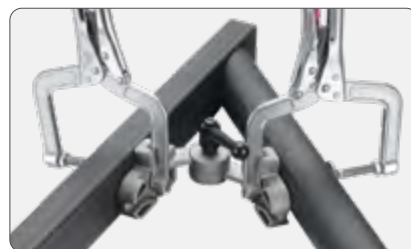
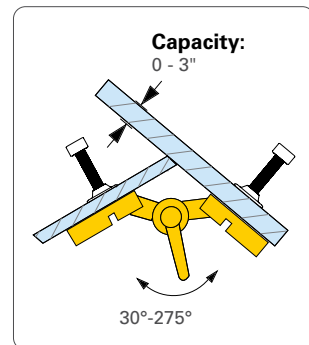
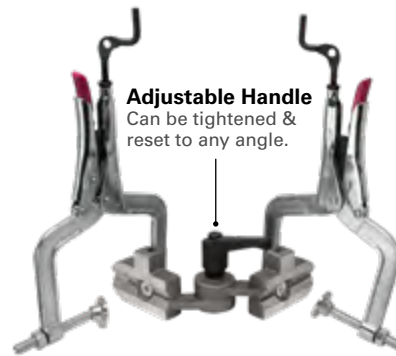
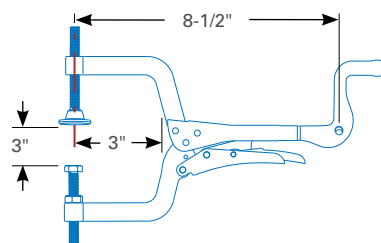
Part No.	Weight (lb)
PL634	1.1



PA634

The **Adjustable** JointMaster™

- Adjustable from 30° - 275°.
- Adjust to the desired angle & "lock" into position with the handle.
- Join round & flat workpieces, or materials with different thicknesses.
- Comes with 2 pairs of pliers.



Part No.	Weight (lb)
PA634	2.4

JointMaster™ Right Angle Clamping Tools

Large capacity for woodworking!

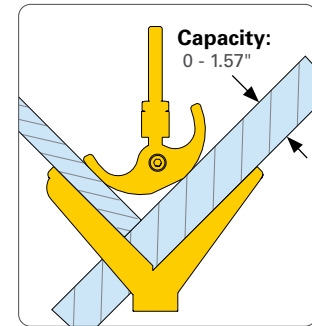
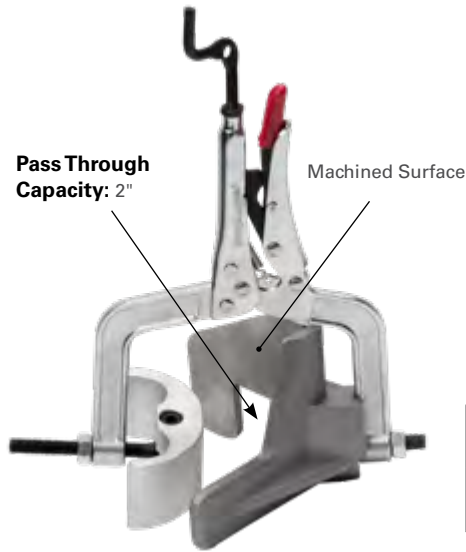
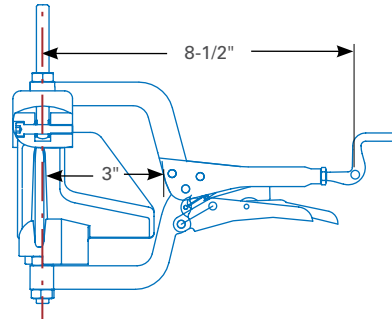


NEW ITEM

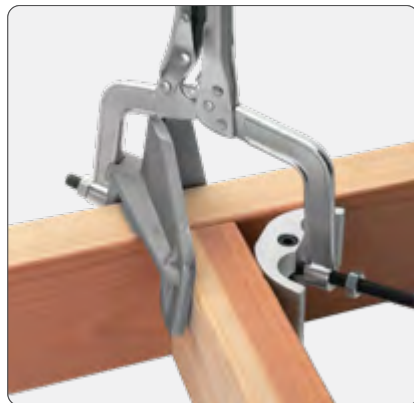
PK634

The PK634 has been modified with a larger right angle clamp, it allows for better clamping of 2 x 4 wooden studs. Quickly lock and hold stock at 90° angles with a quick clasp of the locking handles.

- Quick single-handed hold & release.
- 1.57" Max clamping capacity.



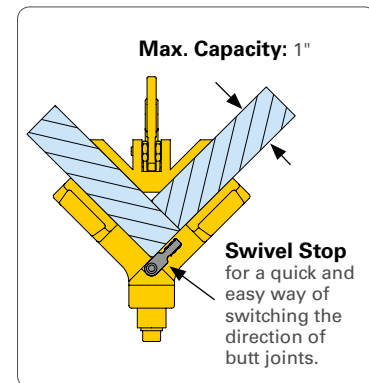
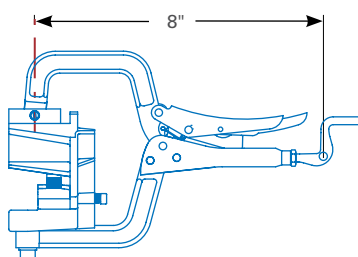
Part No.	Weight (lb)
PK634	1.6



PLW634

Designed for 90° angle joints of equal stock and features a swivel stop for a quick and easy way of switching the direction of butt joints.

It has a max capacity of 1" stock and is ideal for woodworking applications.



Part No.	Weight (lb)
PLW634	1.4

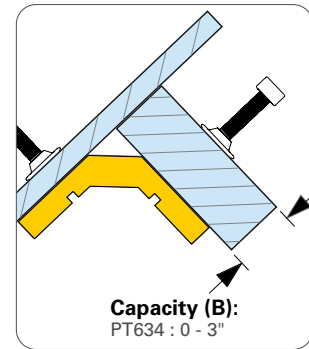
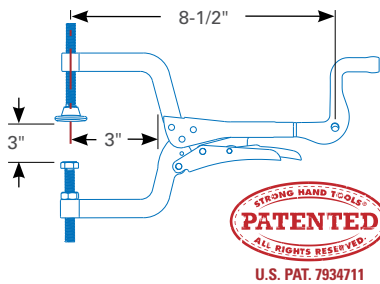
JointMaster™ Angle Clamping Tools

Fast, precise and affordable clamping tools for corners and T-joints.

PT634

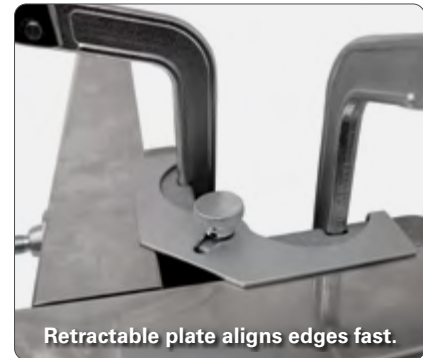
The 90° Fixed JointMaster™

- Retractable plate for edge alignment
- V-Grooves for holding round pieces.
- Ideal for holding two pieces of different thicknesses that require individual adjustments.
- Comes with 2 pairs of pliers.



Part No.	Weight (lb)
PT634	2.5

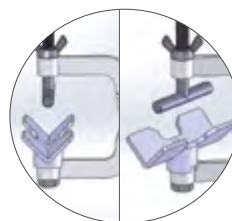
Retractable Plate
Makes edge alignment a snap.



Retractable plate aligns edges fast.

SMALL DIAMETER PIPE PLIERS

Small Diameter Pipe Pliers are the convenient way to hold small round pipes for: **Butt-welding** and **Cross joints**.



Dual Position Bottom Bracket.



PGT621
PB11 Compatible

Part No.	Throat Depth (in)	MAX Clamping Capacity (in)	Thread	Overall Length (in)	Weight (lb)
PGT621	2	1/4 ~ 1-1/2	M8	6	0.8

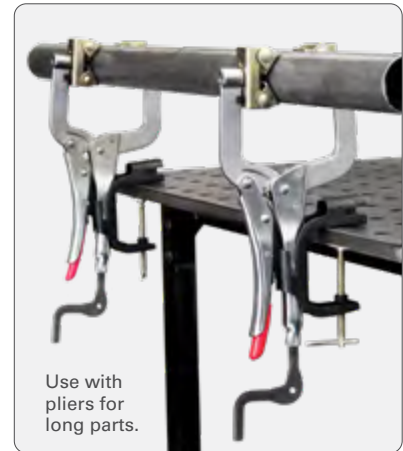
BENCH-MOUNT PLIERS HOLDER

Convenient storage, or hands-free use

Holds in Vertical & Horizontal positions. Wing nuts on both vertical and horizontal position locks pliers in place.



Part No.	Weight (lb)
PB11	0.2



Use with pliers for long parts.

CRANK HANDLES

Add the crank handle accessory to the clamps or pliers to:

- Adjust torque with the pliers in the locked position.
- Pre-set the Pliers opening for repetitious clamping applications.
- Loosen the Pliers before unlocking.



Part No.	Thread	For Pliers	Weight (lb)
PXCM6	M6	For 5", 6", 8-1/2" Pliers	0.03
PXCM8	M8	For 7", 8", 9" Pliers	0.08
PXCM10	M10	For 10", 11", 12" Pliers	0.18
PXCM12	M12	For 9", 10", 11", 14" Pliers	0.23

SWIVEL PADS

Round pad swivels at 360°.



Part No.	Thread	Height (mm)	Pad OD (mm)	Weight (lb)
854940M (Swivel)	M10	66	Ø25.4	0.1

PLIERS REPLACEMENT PARTS



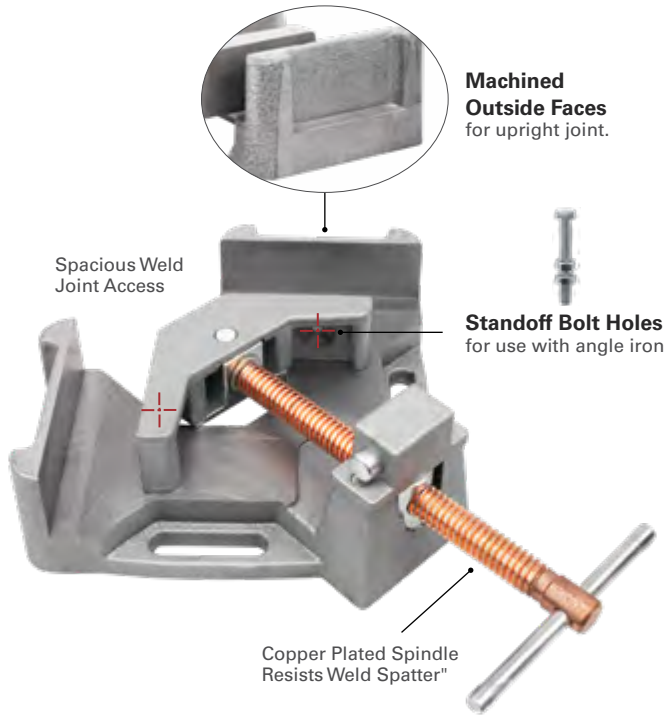
Part No.	Description	For Pliers	Weight (lb)
PXS11	Spring - 4 per set	11" & 18" Pliers	0.04
PXS6	Spring - 4 per set	6" & 8-1/2" Pliers	0.01
PXB11	Adjustment Bolt	11" Pliers	0.13
PXB6	Adjustment Bolt	6" & 8-1/2" Pliers	0.04

2 Axis Fixture Vises

Welders Angle Clamps

Machined welding fixtures made of ductile cast iron.

- Superb Weld Joint Access on all sides.
- Quick Acting Button for fast adjustment (WAC35D and WAC45 Models).
- Copper Plated Spindle Resists Weld Spatter.



Use in **upright position** thanks to machined outer face.



Swing Jaw allows two workpieces with different thickness to be joined at 90°.



T-Joints

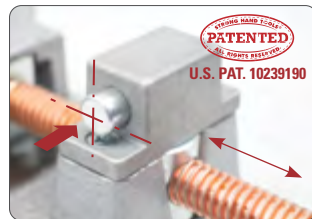
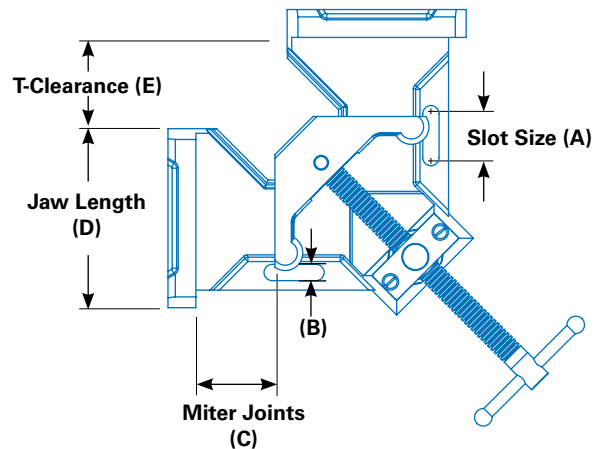


Angle Iron with Stand Off Feature

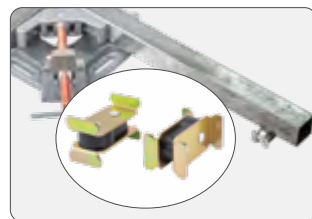
Jaw Height

(F)

1" Base height



Press the **Quick Acting Button** (WAC35D & WAC45 models only) to allow the threaded screws to slide in and out for **fast setup**.
(Release the button to re-engage the threaded screw for tightening.)



2 Magnetic Rest Blocks to support & level long stock! FREE with models: WAC35D, WAC45

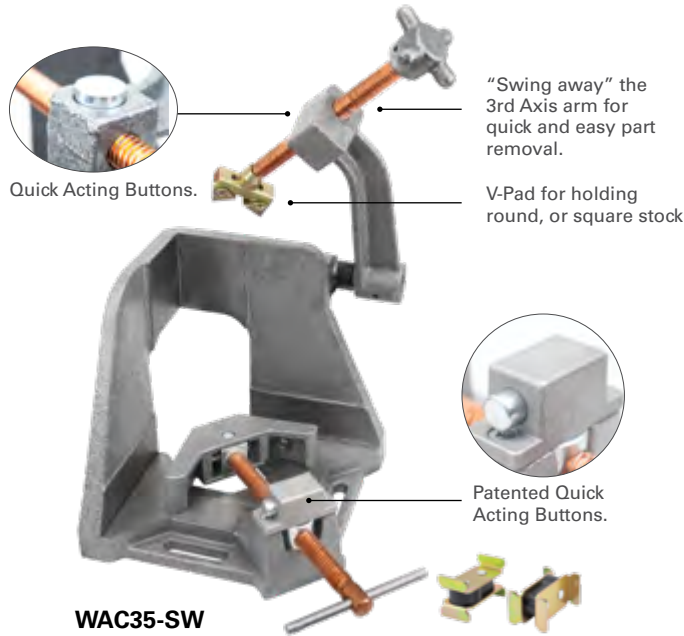
Part No.	Features				A (in)	B (in)	C (in)	D (in)	E (in)	F (in)	Weight (lb)
	Quick Acting Button	2x Stand-offs	2x Magnetic Rest Blocks	Machined on Outside Faces							
WAC22		√		√	1.4	0.42	2.50	3.1	1.85	1.28	6.0
WAC34		√			1.6	0.42	3.75	4.2	2.5	1.35	9.5
WAC35D	√	√	√	√	1.6	0.42	3.75	4.2	2.5	1.35	10.0
WAC45	√	√	√	√	2.0	0.42	5.00	5.2	4.0	2.45	22.0

3 Axis Fixture Vises Welders Angle Clamps

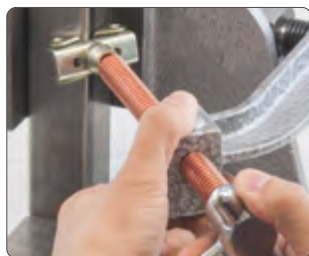
Features the Quick Acting Buttons and "Swing Away" Arm.

Holds a 3-axis workpiece in position before welding.

Hold parts in position during cool down to minimize distortion due to contraction.



WAC35-SW



Quick Acting Button



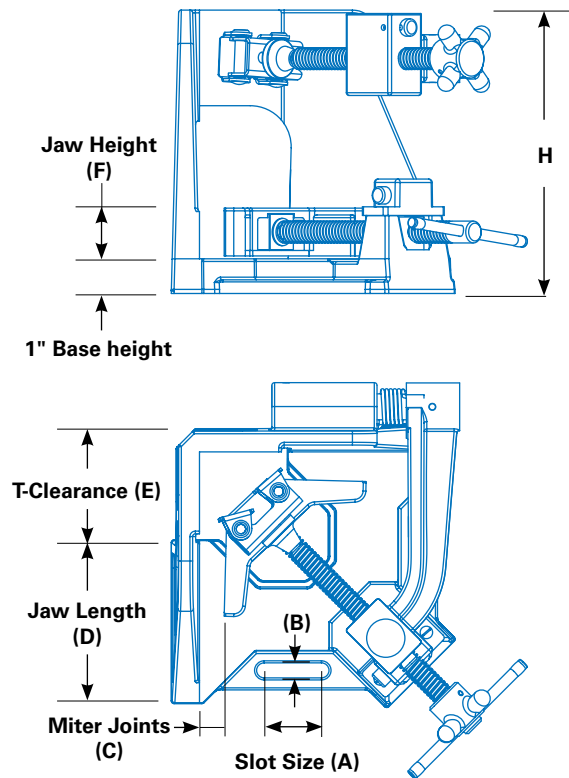
Angle Iron with Stand Off Feature



Pivoting Head



T-Joints



Part No.	Features				A (in)	B (in)	C (in)	D (in)	E (in)	F (in)	H (in)	Weight (lb)
	Quick Acting Button	2x Stand-offs	2x Magnetic Rest Blocks	Swing Away Arm								
WAC35-SW	√	√	√	√	1.6	0.42	3.75	4.8	2.5	1.38	8.25	24.0
WAC45-SW	√	√	√	√	2.0	0.42	5.00	5.2	4.0	2.45	9.50	35.0

Welders Universal Vise

Clamp stock at multiple angles.

Clamp stock of different thicknesses at multiple angles. Patented Quick Acting Button for FAST setup!

- Clamp round and square tubing, angled and flat stock at 5° to 180°.
- Copper plated screws with Quick Acting Buttons.
- Individual Angle Clamps easily swivel on the fixture base.

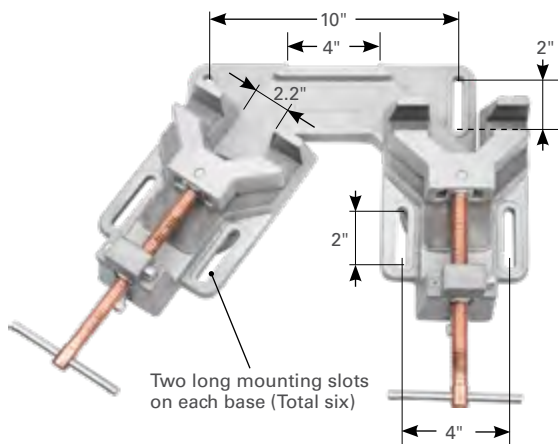


Jaw Opening: 4"
Jaw Height: 1-3/8"
 Malleable Cast Iron

WAV200
 Duo Vise



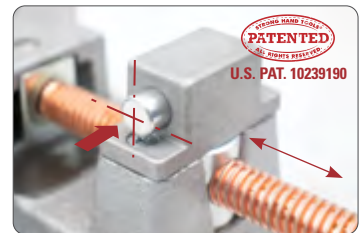
WAS100
 Single Vise



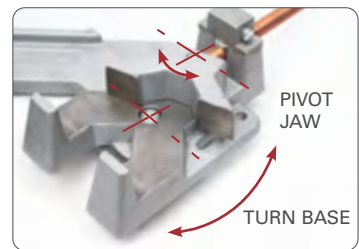
WAV200

Press the **Quick Acting Button** to allow the threaded screws to slide in and out for **fast setup**.

(Release the button to re-engage the threaded screw for tightening.)



Clamp at **Any Angle** by turning the individual clamps on the fixture base for a wide range of angle settings.



Part No.	Description	Weight (lb)
WAV200	Duo Vise	25.3
WAS100	Single Vise	8.5



Vises may be removed from the base and used separately.



Use the Magnetic Blocks (included in WAV200) 1", 1-1/4" and 2" heights to support long stock.

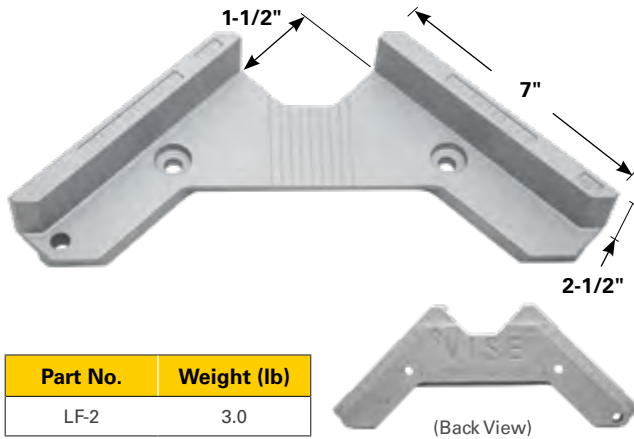
90° Tru AngL & Portable MagVise™

Time saving aluminum vises for use in the shop and in the field.

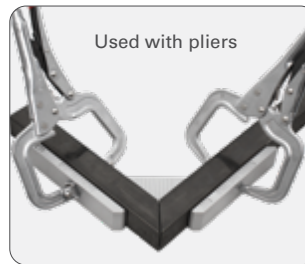


ALUMINUM 90° TRU-ANGL JIG

- Accurate Right Angle Fixture.
- Weld spatter proof aluminum alloy.
- Holds round, square, flat and angled shapes.
- Works on both the outside and inside surfaces.
- Can be held in a vise.



Part No.	Weight (lb)
LF-2	3.0



PORTABLE MAGVISE™

Light weight, die cast and machined vise is packed with features and perfect for tossing into a tool bag.



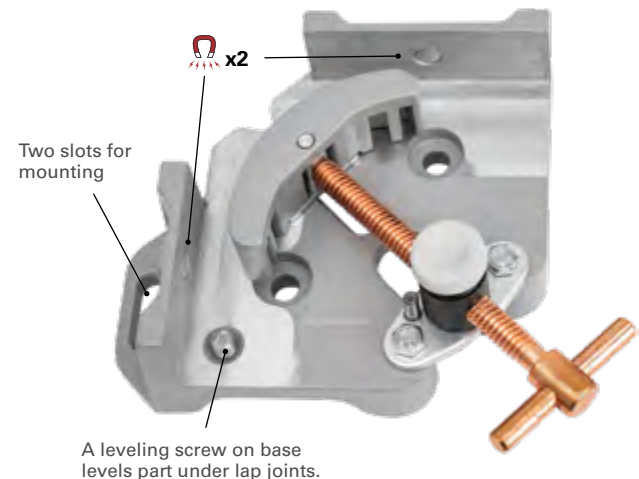
Press and hold the **Quick Acting Button** and the spindle assembly slides in and out for a super fast set-up!



Clamp jaw pivots to accommodate different thickness.



Magnets in the walls instantly hold pipes, tubes, angle iron, or metal plates in position.



Level parts with screw



Overlap Joint

Part No.	Features	Miter Joints (in)	Jaw Length (in)	T-Clearance (in)	Jaw Height (in)	Weight (lb)
WK50	Quick Acting Spindle, Magnets, Pivoting Jaw, Machined 90° Angle	1	3.35	1.2	2	1.7

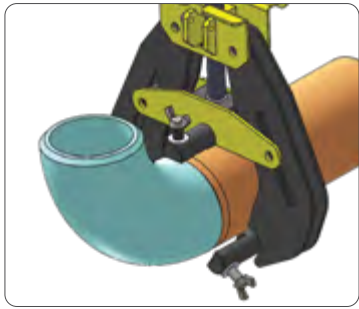
Pipe Alignment and Fit-Up Clamps

The efficient way to accurately fit-up round pipes for butt welding.

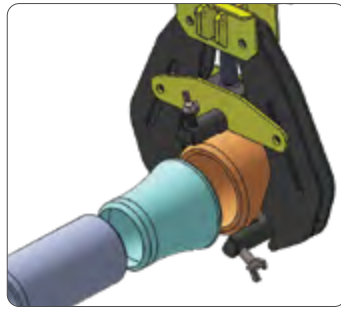
PIPE ALIGNMENT CLAMPS WITH QUICK-ACTING LEVER

The New Pipe Alignment Clamp with Quick-Acting Lever is a fast, accurate fit-up clamp with a rugged frame.

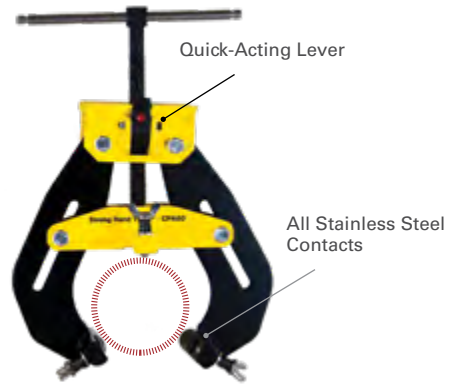
Get a well-balanced hold on the clamp with the two wide Grip Plates while pressing the Quick-Acting Lever. The screw smoothly glides up and down for fast insertion and removal after welding.



Pipe to Elbow

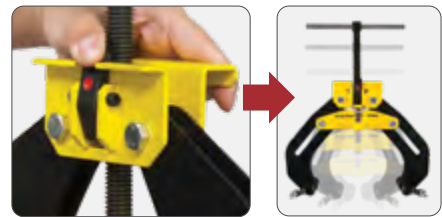


Pipe to Reducer



PRESS - SLIDE - SET

Wide Grip Plates make this Pipe Alignment Clamp easier to handle, with less user fatigue.

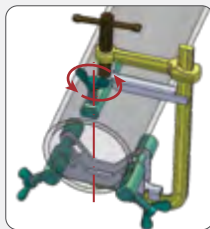


Part No.	Pipe Diameter Capacity (in)	Weight (lb)
CPA60	2 ~ 6	11
CPA120	4.5 ~ 12	17

PIPE FIT-UP CLAMPS

A compact, light weight, portable clamp for the quick fit-up of round pipes and flanges for butt welding. 50 - 75% lighter than traditional alignment clamp. Easy-to-Use design for the rapid, repeated loading and unloading of workpieces.

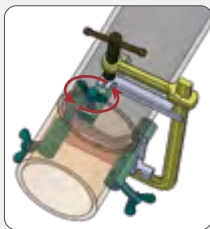
Pre-set clamp opening for fast setup:



Turn three adjustment screws to preset.



Loosen the main clamp arm.



Tighten the main clamp arm.

Part No.	Pipe Diameter Capacity (in)	Overall Length (in)	Weight (lb)
CPL45	2 ~ 4	9.5	2.8
CPL75	4 ~ 5.5	12	4.7



Demo Video

All Stainless Steel Contacts
3.5" L Clamp Rods



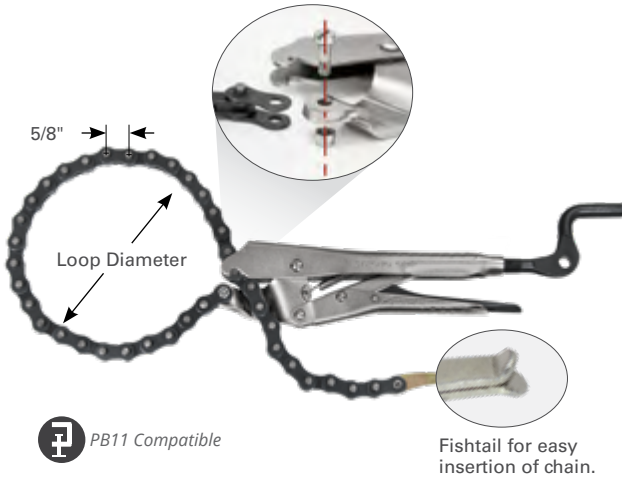
Chain Pliers & V-Pad Kit

Clamp / Rest round pipes.



LOCKING CHAIN PLIERS

Clamp odd shaped items. Adjust tension with crank handle.



* OPTIONAL: Table-mount chain hook and pliers mounts brackets, USED TOGETHER for table mount part hold down. Check our website for detail.



Part No.	Chain Length (in)	Holds Pipes (in)	Weight (lb)
PFC1024	24	up to 6.5	1.9
PFC1036	36	up to 10.5	2.4
PFC1048	48	up to 14	2.8



* Three Replaceable chains available:

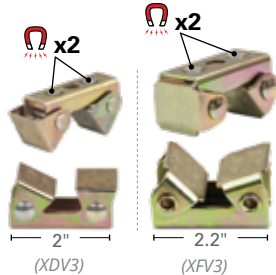
Part No.	Description	Weight (lb)
PXC24	Replaceable chain 24" L	0.7
PXC36	Replaceable chain 36" L	1.0
PXC48	Replaceable chain 48" L	1.4

MAGREST™ V-PAD KIT

MagRest provides a quick and easy method of securing material in place on your work surface. Two strong rare earth magnets on the flat side hold the base in place while the top pads pivot to accommodate round and even square material.

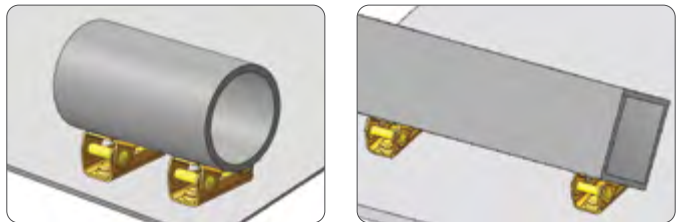
(XDV3)

Max. Pull Force: 6 lb.
Comfortably holds 1/2" ~ 6" diameter round tubings.



(XDV3)

Max. Pull Force: 9 lb.
Comfortably holds 1" ~ 8" diameter round tubings.



Part No.	Kit Contents	Weight (lb)
MVDF42	2 pcs. V-Pads (XDV3) + 2 pcs. V-Pads (XDV3)	0.7

Grounding Clamps & Pliers

High clamping pressure improves arc stability and reduces power consumption.

NEW ITEM

LARGE DIAMETER PIPE GROUNDING CLAMPS

These clamps feature a copper grounding attachment at one end and a stainless steel v-pad for holding round or flat parts on the other. Deep throat on the clamping arm means that diameters of up to 13" can be accommodated with the v-pad.



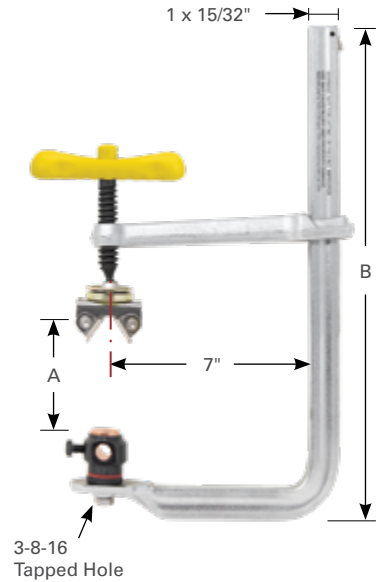
Stainless Steel Clip-on V-Pad



Rated at 530 AMPS with 3/0 cable



Replaceable Copper Sleeve



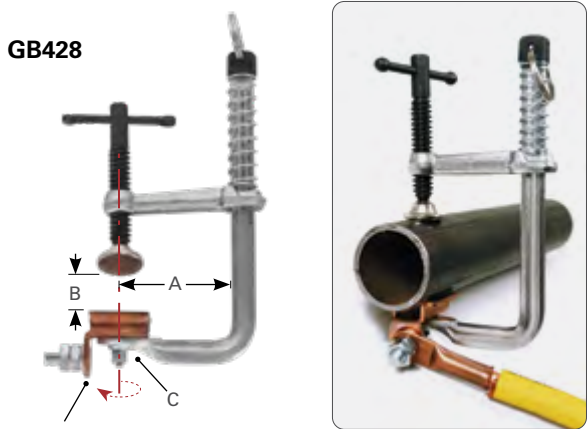
Part No.	Amperage / Cable Size	Capacity (A) (in)		Clamping Pressure (lb)	Overall Length (B) (in)	Weight (lb)
		with v-pad	without v-pad			
GUG970	530A / 3/0	9	11	800	17	5.6
GUG1370	530A / 3/0	13	14	800	20.8	6.1

GROUNDING CLAMP

Clamping + Grounding at the same time.

Consistently rated at 300 AMPS

Solid, insulated copper U-Channel rotates for easy access and can attach to round / odd-shaped parts.



GB428
Insulated copper contact swivels

GROUND HOG™ CLAMP

Insulated Grounding Contact

The groove design on the copperhead seals out weld spatter and reduces particle buildup. Side screw provides a secure cable connection. Ground Hog body rotates for cable positioning.

- Controls the electrical current by isolating the contact surface and the cable connection.
- Improve arc stability and cable life, and reduce power consumption.



GP950

STRONG HAND TOOLS
PATENTED
ALL RIGHTS RESERVED
U.S. PAT. 7637753

Ground Hog™
Rated at 450 AMPS @ 60% duty cycle (with 2/0 cable)

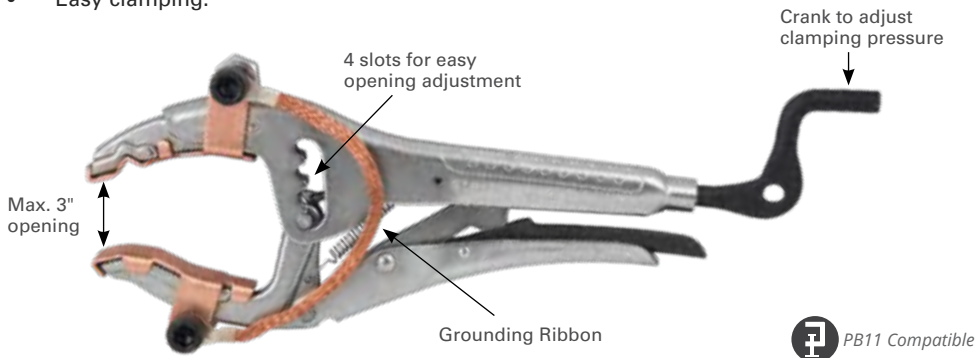
Part No.	Amperage / Cable Size	Throat Depth (A) (in)	Max. Capacity (B) (in)	Tapped Hole (C)	Clamping Pressure (lb)	Overall Length (in)	Weight (lb)
GB428	300A / --	2-1/2	3	1/4-20	220	7	0.8
GP950	450A / 2/0	3-1/2	2-1/2	M10	400	11	2.4

BIG MOUNT PLIERS W/ COPPER GROUNDING

Large copper contact and opening. Best grounding pliers in the market!

Clamp + Ground thick, thin, and round parts with tight pressure for good contact. Grounding ribbon connects top & bottom jaws.

- Large copper contact, and high clamping pressure for secure and safe clamping.
- Large range of opening and shape.
- Easy clamping.



Part No.	MAX Clamping Capacity (in)	Throat Depth (in)	Overall Length (in)	Weight (lb)
PAJ207	1/4 ~ 3	2-1/2	10	2.2

* See page 24 for details of standard Big Mount Pliers - PAJ100.

GROUND HOG™ UNIT REPLACEMENTS

These are the replacement unit for Ground Hog™ Grounding Pliers and Large Diameter Pipe Grounding Clamps.

The Ground Hog's large copperhead contact point prevents current restriction, allowing a complete transfer of the electrical current in a full circuit. The Ground Hog controls the electrical current by isolating the contact surface and the cable connection. Get a smooth, continuous arc with no fade, and no heat transfer while improving cable life, and reducing power consumption.



NEW ITEM

Part No.	Replacement for	Amperage / Cable Size	Thread x Length (in)	Weight (lb)
GC5010	GP950	450A / 2/0	M10 x 1.8	0.5
GC5310	GP950	530A / 3/0	M10 x 1.8	0.5
GC512	GUG970 & 1370	530A / 3/0	3/8-16 x 0.71	0.5

COPPER SLEEVE REPLACEMENTS

2 pieces per package.

Part No.	For Unite	Inner Dia. (in)	Height (in)	Weight (lb)
GXF504	GCC5010	0.4	1.3	0.02
GXF514	GC512, GC5310	0.5	1.3	0.02



NEW ITEM

Multi-Angle Grounding Magnets

All pure copper contact and links.

NEW ITEM

The Multiangle Grounding Magnet offers many solutions for grounding applications. Mate connecting pipes and materials at 45°, 30°/60°, 90° or 180° angles while providing grounding.

It features a large, spring-loaded copper grounding pad that contacts the mating surface to provide solid ground conductivity.

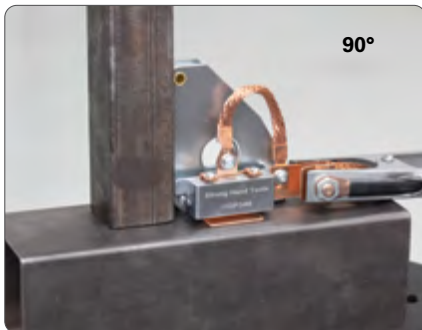


MGP345



Spring Loaded Copper Contact has great conductivity

MGP346



Part No.	Description	Dimension (in)	Magnetic Force (lb)	Weight (lb)
MGP345	Multi-Angle Grounding Magnet	4-1/2 x 3-7/8 x 2-1/2	85	2.2
MGP346	Multi-Angle Grounding Magnet w/ Clamping Pad	4-1/2 x 5-1/4 x 2-1/2	85	2.3

Grounding Magnets & Grasshopper

High clamping pressure improves arc stability & reduces power consumption.



POWERBASE™ GROUNDING MAGNETS



Power through your grounding applications! Start grounding instantly!

- The PowerBase™ Grounding Magnet sets up quickly and easily.
- Powerful rare earth magnet delivers heavy duty holding power.
- The "V" machined surface grips round parts.
- The copper connector stud allows for better conductivity.



Turn OFF the PowerBase™ Grounding Magnet and metal chips fall away.



Large copper connector for better conductivity.



Holds securely onto round or flat surfaces.



The ON/OFF Lever is easy to turn, even while wearing gloves.

Part No.	Amperage	Dimension (in)	Magnetic Force (lb)	Weight (lb)
GM203	300A @ 60% Duty Cycle	2 x 2 x 1.4	44	1.2
GM205	500A @ 60% Duty Cycle	2 x 2.75 x 1.4	110	2.4

MAGNETIC GROUNDING GRASSHOPPER

The Magnetic Grounding Grasshopper is a Versatile Multipurpose Grounding Device.

Magnetic Grounding Point:

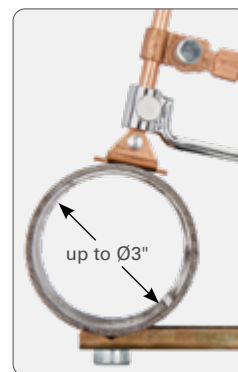
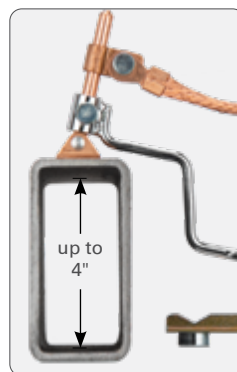
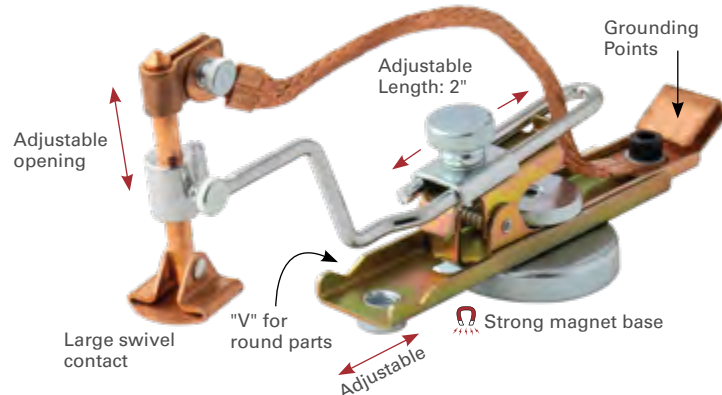
Use as a magnetic HOLD DOWN device, combining the strong yet compact magnetic base and spring clamp to hold down components. A long handle allows you to pry off the magnetic base with ease.

Magnetic Holding and Fixturing Device:

Use as a fixturing device by using the strong magnetic base with the adjustable, and rotating spring clamp to repeatedly locate, and fixture smaller components.

All Copper Connection:

Featuring a sliding base support bar, it can be used as a light spring clamp, capable of accepting 3" diameter pipes and used to hold non-magnetic materials.



Part No.	Amperage	Max. Overall Length (in)	Width x Height (in)	Weight (lb)
MGC150	250 A @ 60%	12	2-5/8 x 3-3/8	1.9

NEW ITEM

Grasshoppers

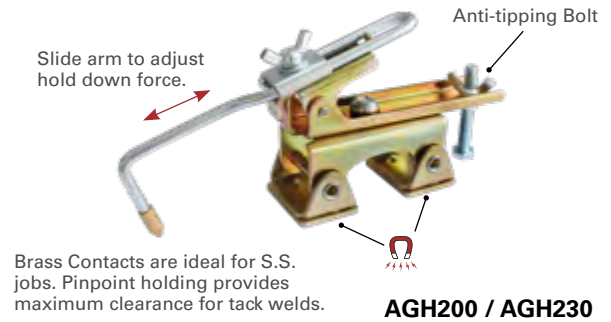
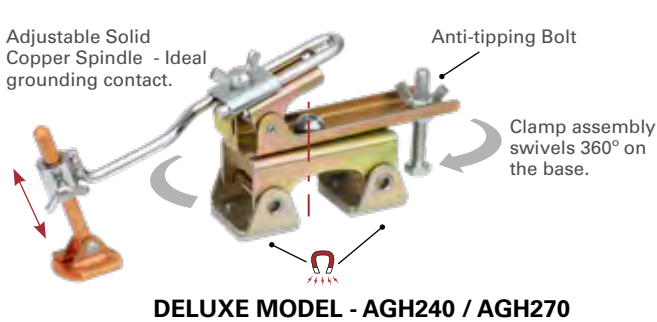
Use the "third hand" to steady parts for tack welding! Safe and convenient!



MAGNETIC GRASSHOPPERS

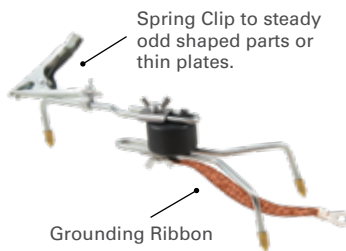
- Spring-loaded arm self-adjusts for **REPETITIOUS WORK HOLDING.**
- New Copper Spindle (deluxe model).
- Adjustable V-Pad Base adapts to: round, square, flat, and angled surfaces.
- Anti-tipping Bolt provides stability.

STRONG HAND TOOLS®
PATENT PENDING
 All Rights Reserved.



Part No.	Feature	Magnetic V-Pad Base	Anti-tipping Bolt	Max. Overall Length (in)	Width x Height (in)	Weight (lb)
AGH240	Copper Spindle	✓	✓	7.5	2.5 x 3.5	0.9
AGH270	Copper Spindle	✓	✓	10	4 x 4.5	1.7
AGH200	Brass Contact	✓	✓	8	2.5 x 3	0.7
AGH230	Brass Contact	✓	✓	9.2	4 x 4	1.4

STANDARD GRASSHOPPERS



PATENTED
 U.S. PAT. 9505089



Pro Model - AGH130P

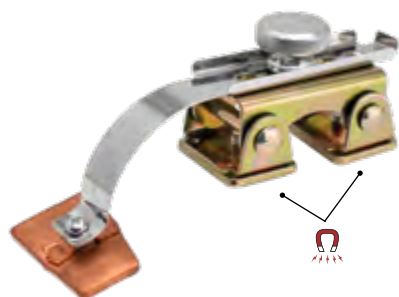
Econo Model - AGH130

Part No.	Product Includes	Max. Overall Length (in)	Width x Height (in)	Weight (lb)
AGH130P	Three Brass Contacts, Copper Ribbon, Spring Clip Attachment	12	4.5 x 4	1.52
AGH130	Brass Contact	12	4.5 x 4	1.50

Hole Plug Magnet & Sheet Metal Magnets

Fast and easy hands free tools!

HOLE PLUG MAGNET



Demo Video

- Fast and easy hands free tool for plug welds.
- Pivoting magnetic base adapts to curved steel panels.
- Copper backing pad prevents weld from sticking to the tool.



REPLACEMENT MAGNETS

6x Replaceable Magnets and 6x Flush Mount Screws. Compatible with products featuring 3/4" dia. replaceable magnets.



Part No.	Description	Dimension (in)	Weight (lb)
AGK320	Hole Plug Magnet	5.5 x 1.6 x 1.8	0.4
AGK450	Hole Plug Magnet, Large	8.9 x 2.1 x 3.7	1.2

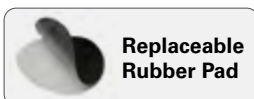
Part No.	Descriptions	Dimension (in)	Weight (lb)
MRP6	6x Replaceable Magnets and 6x Flush Mount Screws	0.75 dia. x 0.1	0.1

SHEET METAL MAGNETS

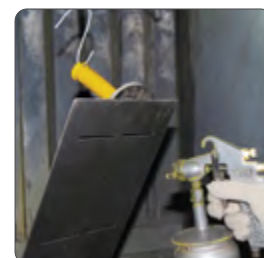
Hold sheet metal and automotive metal panels firmly in a positive location for cutting, welding, tacking, painting and repair operations.

Rare earth disc magnets in the magnetic plate have superior gripping power. Rubber Pads on the Sheet Metal Magnets provide friction for increased drag force in sheet metal handling applications.

Use horizontally or vertically. The strong, generously sized plastic handle makes placing, moving, and removing the Sheet Metal Magnets fast and easy.



Replaceable Rubber Pad



Part No.	Description	Straight Pull Force (lb) *	Side Drag Force (lb) *	Weight (lb)
MCB82	Heavy Duty Sheet Metal Magnets	100 / ea.	45 / ea.	1.2
MCB802	10 pcs. Replaceable Rubber Pad	--	--	0.1

* Subject to surface thickness and texture.

Grinder Rests

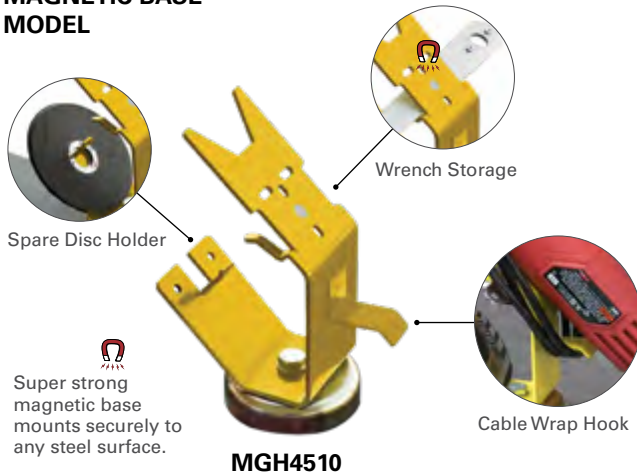
Time saving magnetic tools for use in the shop & in the field.

Store your Grinder and all accessories on one convenient, compact, portable rest for easy access. The Grinder Rest holds most 5" Grinders. No more searching for wrenches or spare discs!

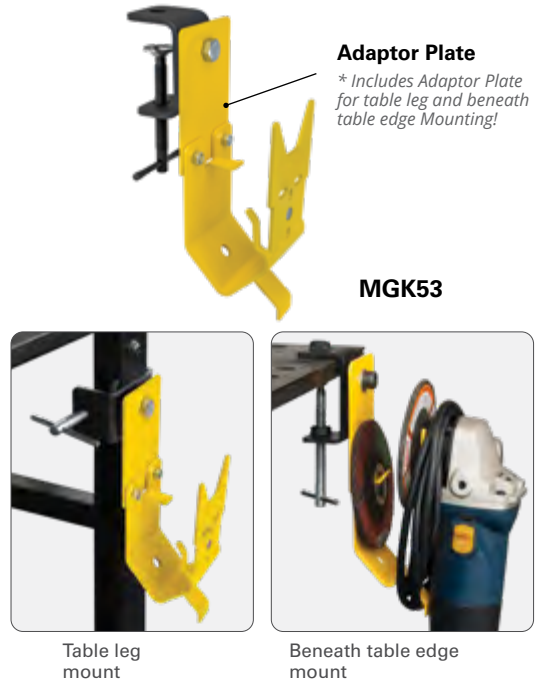


Demo Video

MAGNETIC BASE MODEL



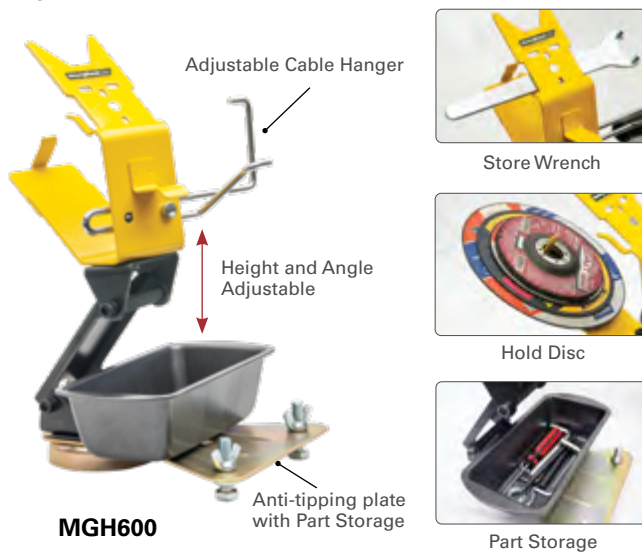
C-CLAMP BASE MODEL



Part No.	Description	Weight (lb)
MGH4510	Magnetic base model	2.4
MGK53	C-Clamp base model w/ Adaptor Plate	2.2

READYREST 7" GRINDER REST

Store your costly 6" or 7" Grinder on this New Grinder Rest to prevent damage, maximize valuable space, and create an organized work area.



* Pliers, Torches and Grinders shown are not included.

Part No.	Description	Weight (lb)
MGH600	Grinder Rest with Adjustable Cable Hanger, Anti-tipping Plate with Part Storage, Height & Angle Adjustable	6

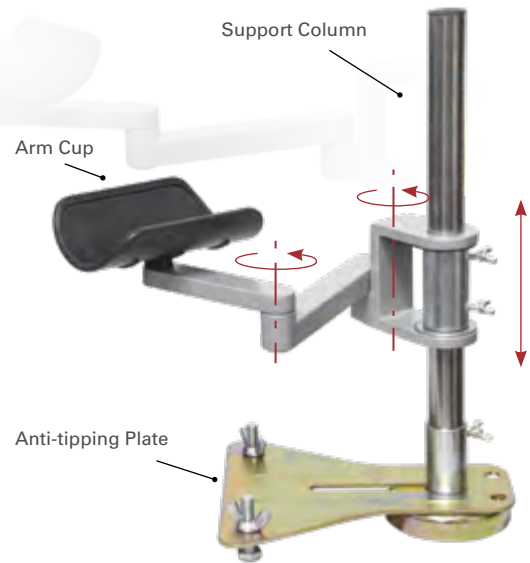
ARTICULATED ARM REST

The ABC Rule for greater work quality - *Always Be Comfortable* while welding.

This fully adjustable Arm Rest with the fully articulated arm, supports your extended arm while working. Steady your arm or hand, for greater weld control and reduced fatigue.

The 2-section Articulated Arm is height adjustable [slide up or down the support column] and swivels quickly and easily for work in precise locations. The comfortable, generously sized arm cup turns in a 360° arc for complete freedom in positioning, and instant re-positioning.

Place the sturdy, anti-tipping, magnetic base plate on any steel surface and level by adjusting the two leveling bolts.



ARA18



Demo Video



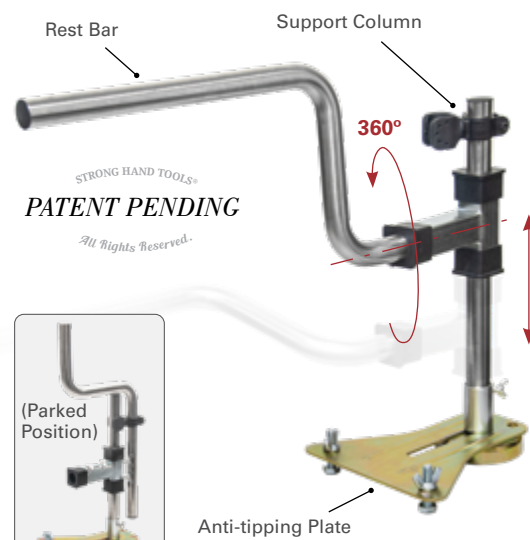
Part No.	Overall Height (in)	Articulated Arm Height Range (in)	Articulated Arm Reach (in)	Weight (lb)
ARA18	15	6 ~ 15	0 ~ 12.5	4.9

ADJUSTABLE WRIST REST

Be comfortable while welding, and perform precision work by having the right tools in your shop.

This fully adjustable Wrist Rest has solid steel construction for durability and optimal stability. "Carry" your MIG or TIG torch smoothly along the 11" travel length of the Stainless Steel Rest Bar.

The Rest Bar is height adjustable [slide up or down the support column]. Place the sturdy, anti-tipping, magnetic base plate on any steel surface and level by adjusting the two leveling bolts. For space-saving storage, remove the Rest Bar from the adjustment column for vertical docking. An important addition to any welding setup. Steady your wrist for accurate welding and greater work quality with less fatigue.



ARW16



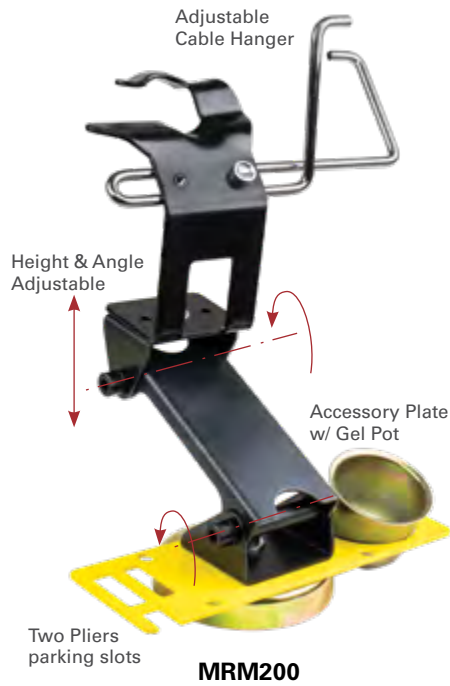
Demo Video



Part No.	Overall Height (in)	Rest Bar Height Range (in)	Rest Bar Length (in)	Weight (lb)
ARW16	18.5	0 ~ 18.5	11	5.8

MIG Torch Rests

Maximize comfort, productivity, and safety in welding!



- **MRM100** is Basic Model includes Adjustable Cable Hanger, Angled anti-spatter Gel Pot and two Pliers parking slots (MIG Pliers sold separately)
- **MRM200** is Height and Angle Adjustable.
- **MRM300** is Deluxe Model includes Park N' Snip feature.

STRONG HAND TOOLS®
PATENT PENDING

All Rights Reserved.



This deluxe MIG Rest includes the Park N' Snip feature!

Cut your MIG wire to the ideal length without taking off your gloves! Get a precise cut every time, without guesswork.

Insert your MIG Pliers through the two slots, rest your nozzle on the parking plate, and snip. Now you can easily trim the wire to the ideal length for better weld control.



Part No.	Model	Description	Height (in)	Weight (lb)
MRM100	Basic	MIG Torch Rest with Cable Hanger & Accessory Plate	6	2.1
MRM200	Adjustable	MIG Torch Rest with Cable Hanger & Accessory Plate, Adjustable Height	7 ~ 12	3.5
MRM300	Deluxe	MIG Torch Rest with Cable Hanger & Deluxe Accessory Plate, Adjustable Height	7 ~ 12	4

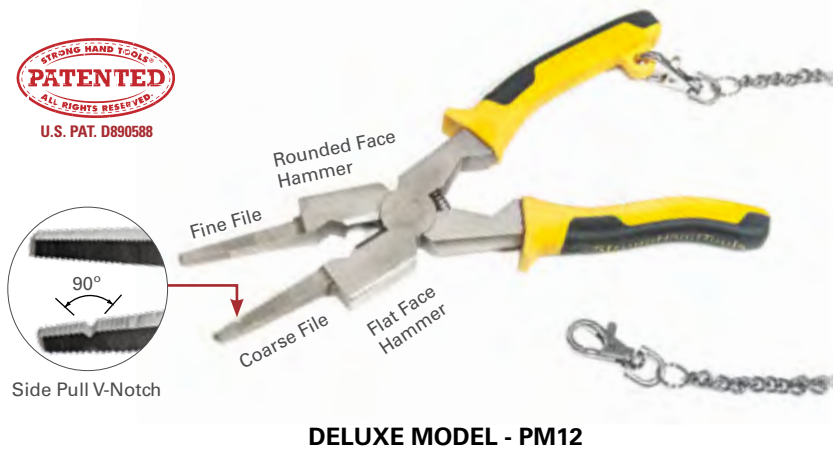
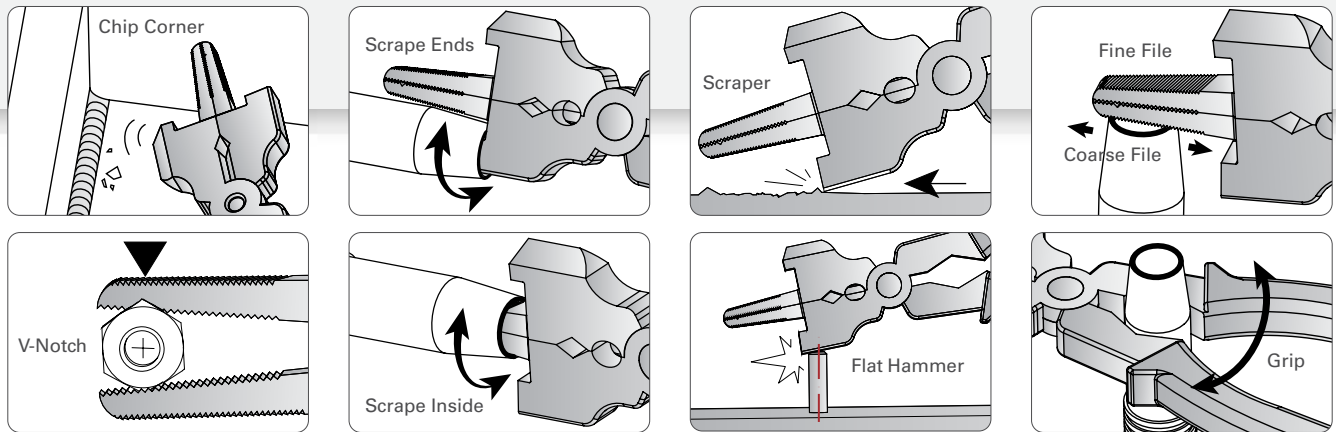
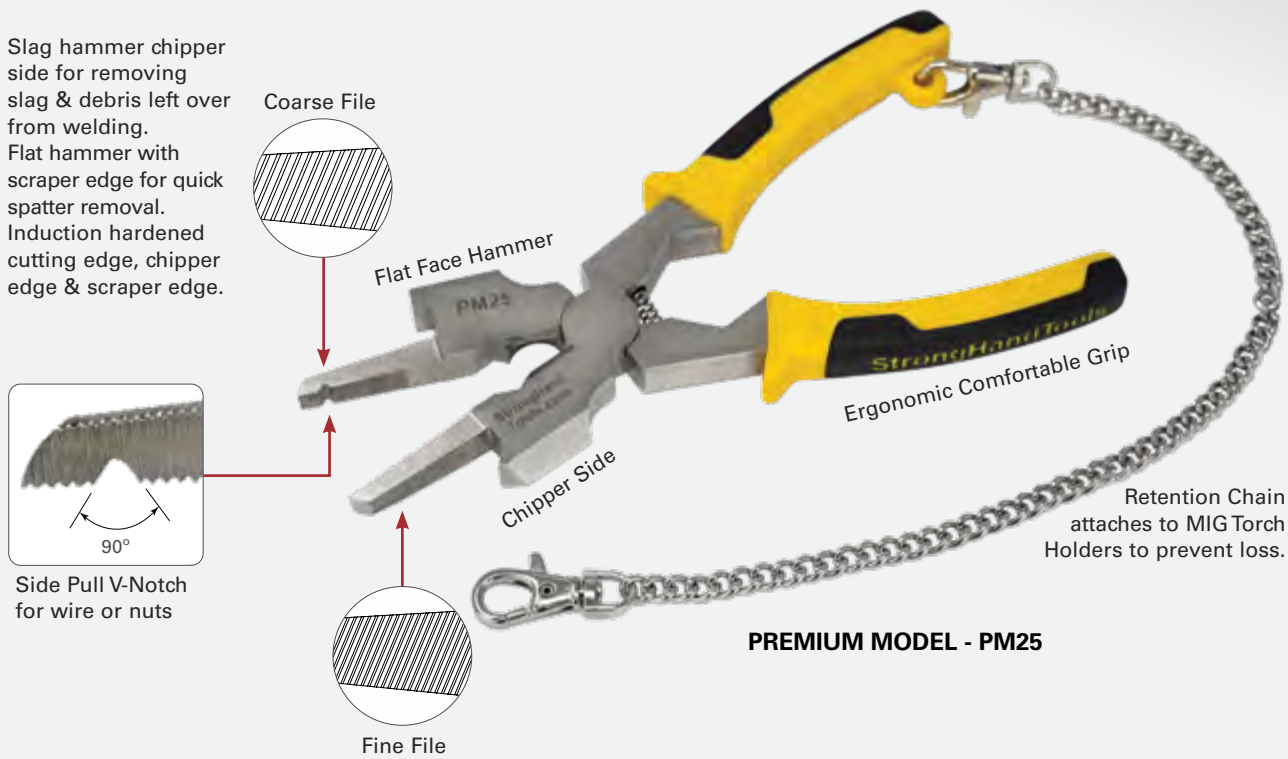
MIG Pliers

Multi-Functional and unique!



NEW ITEM

- Slag hammer chipper side for removing slag & debris left over from welding.
- Flat hammer with scraper edge for quick spatter removal.
- Induction hardened cutting edge, chipper edge & scraper edge.



STANDARD MODEL - PM08

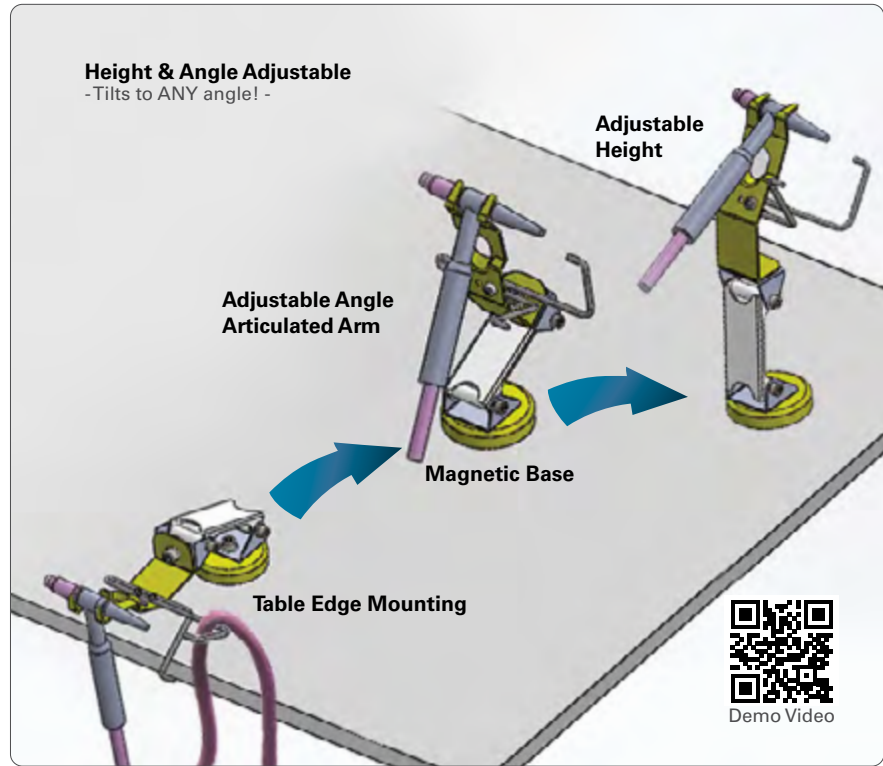
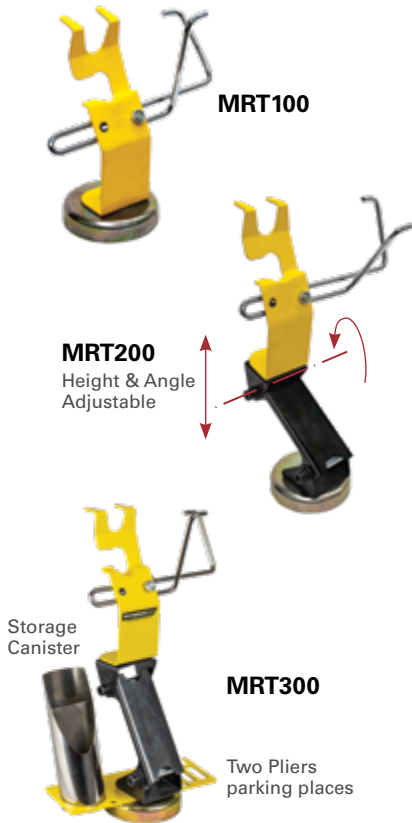
Part No.	Overall Length (in)	Weight (lb)
PM25	8.5	0.9
PM12	8.5	0.8
PM08	8.5	0.6

You don't work in one fixed position, so neither should your torch rest.

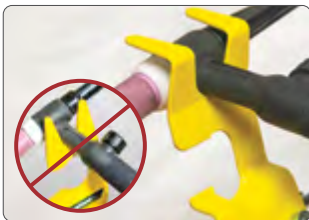
The height and angle adjustable ReadyRests attach securely to any steel surface for safe and convenient holding of your torch and cable for full access while you work. The unique adjustable cable hanger provides cable control for safety, and ease of handling.

Store your torch on the ReadyRest to prevent damage and create a clean, organized work area.

STRONG HAND TOOLS®
PATENT PENDING
All Rights Reserved.



* Pliers, Torches and Grinders shown are not included.



Deep Bend for extra-secure torch holding.



Rounded Edges prevent scratching.



Adjustable Cable Hanger holds cable "slack" for safety and reduced wrist fatigue.



Two Pliers Parking Slots on Deluxe Accessory Plate (MRT300)

Part No.	Model	Description	Height (in)	Weight (lb)
MRT100	Basic	TIG Torch Rest with Cable Hanger	7.5	1.9
MRT200	Adjustable	TIG Torch Rest with Cable Hanger, Adjustable Height	7~ 12	2.8
MRT300	Deluxe	TIG Torch Rest with Cable Hanger and Accessory Plate with Canister, Adjustable Height	7 ~ 12	3.5

UNIVERSAL RESTS

MIG, TIG, Electrode holder...ONE SIZE fits ALL

The Universal Rests hold your MIG or TIG Torch, or Electrode Holder. The Stainless Steel housing is angle-adjustable, with an adjustable keeper plate inside for secure, customizable holding.

Position and store your MIG, TIG torches and Electrode Holder securely and conveniently for easy access, and to prevent damage to gun and tips.



Part No.	Model	Description	Height (in)	Weight (lb)
MRD80	Basic	Universal Rest with Cable Hanger	6	2.5
MRD90	Adjustable	Universal Rest with Cable Hanger & Accessory Plate, Adjustable Height	7 ~ 12	3.9



TABLE EDGE TIG REST

The most space-saving model in the ReadyRest™ line!

When every inch of space on your work surface is utilized, the Table Edge Torch Rest holds your torch at the table edge, out-of-the-way, yet easy to access quickly.



Part No.	Description	Height (in)	Weight (lb)
MRT50	Table Edge Mount TIG Torch Rest with Cable Hanger	5.5	1.2

TIG Feeder & TIG Part Organizer

Time saving magnetic tools for use in the shop & in the field.

NEW ITEM

TIG FEEDERS

Smoothly feed TIG wire for total control and accuracy, at the ideal distance, for higher quality welding, even with gloves on! Minimize filler wire waste.

- Compact, lightweight Feeder rests securely, comfortably in your hand.
- Easily customizable to set wire tension and control.
- Reduce fatigue to help prevent carpal tunnel syndrome.
- Stainless Steel.

Model ATFM120 comes with a compact magnetic base that enables to mount the TIG Feeder at any point on your steel work surface, even in tight spaces.

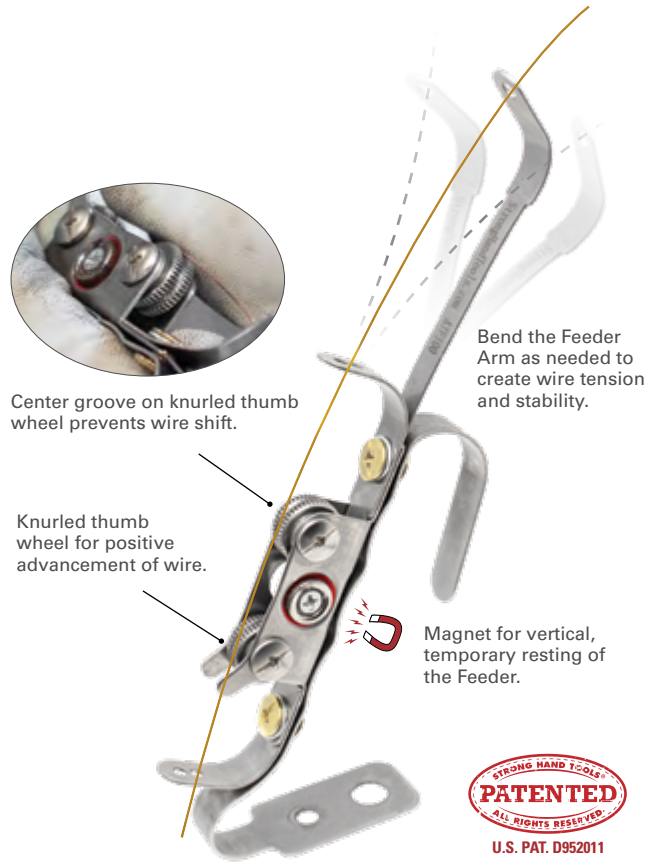


Lightweight Feeder rests securely, comfortably in your hand.



Compact Magnetic Base on Model ATFM120 for turntable use.

Part No.	Dimension (in)	Weight (lb)
ATF100	7.0 x 3.0 x 0.8	0.15
ATFM120	7.4 x 4.0 x 0.8	0.21

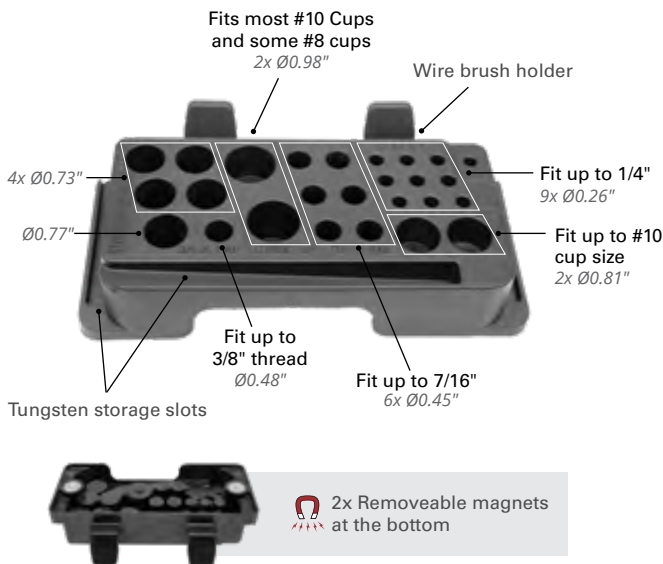


NEW ITEM

TIG PART ORGANIZER

Store your most frequently used TIG Accessories on the TIG Part Organizer for easy access.

A total of 25 cavities hold back caps, ceramic cups, glass cups, collets, and collet bodies.



Slotted base for space-saving use with the ReadyRest TIG Rest, PN MRT100 [sold separately]

Part No.	Description	Dimension (in)	Weight (lb)
ATT180	TIG Part Organizer	9 x 5 x 2	0.65
ATTF200	1x TIG Feeder + 1x TIG Part Organizer	9 x 5 x 2	0.8

TIG Feeder Stand & Magnetic Panel Holder

Time saving magnetic tools for use in the shop & in the field.



NEW ITEM

TIG FEEDER STAND W/ MAGNETIC BASE

Mount the TIG Feeder on this New Adjustable Stand to create a Modular Feeder System.

Increase weld accuracy and reduce fatigue to better accommodate the demands of your production environment.

Achieve precision placement and greater accuracy not possible with the handheld method.

Place the compact, universal Magnetic Base at any point on your steel work surface, even in tight spaces.

Set the Stand at the ideal height and angle required for each job; Min. 3" / 7.6 cm, Max. 10" / 25 cm height adjustment.

Mount the TIG Feeder, PN ATF100 [sold separately] onto the pivoting head, position the adjustable 2-section arm as required, and lock into position by tightening the screws.



Part No.	Description	Dimension (in)	Weight (lb)
MTH800	TIG Feeder Stand w/ Magnetic Base	8 x 3 x 2	1.2

MAGNETIC PANEL HOLDERS

Quickly set up free-standing aluminum, steel or plexiglass panels in any configuration for safety at welding stations or other work environments.

Protect workers, materials, and equipment from the hazards of welding sparks, spatter, welding flash, gases, sun glare and wind.

5-1/2" H "clip style" Holders support panel thicknesses up to 3/8".
No tools required.

Strong magnetic base for secure placement on any steel surface.

Secure right angle setups with 2 pcs. Right Angle Fixtures (incl. in AWS120 only).

Use additional Panel Brackets to partially or fully enclose the work area as needed.



AWS120

NEW ITEM



5-1/2" H "clip style" Holders support panel thicknesses up to 3/8".



Create a safer work environment by easily setting up protective panels wherever needed, in the shop or out in the field.



Create a 90° panel setup with the Right Angle Brackets [2 pcs. incl. in AWS120 only]

Part No.	Description	Weight (lb)
AWS100	2x Magnetic Panel Holder	2
AWS120	6x Magnetic Panel Holders + 2x Right Angle Brackets	5.5

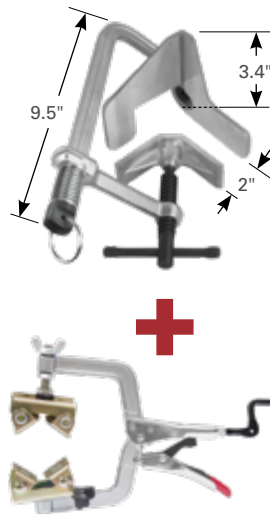
The Third Hand Modular Clamps

FULLY articulated, FULLY adjustable.

PORTABLE 3-AXIS CLAMP KIT

Kit includes: Spring Loaded L Clamp w/ 3-Axis Bracket + Pipe Pliers

- Light and easy to use. Set up 3-Axis stock before tack welding.
- Wide opening provides unobstructed welding access.
- **Pipe Pliers [included]** holds 3-axis stock in position; 1.5"- 2.5" capacity. 8.5" Overall Length.



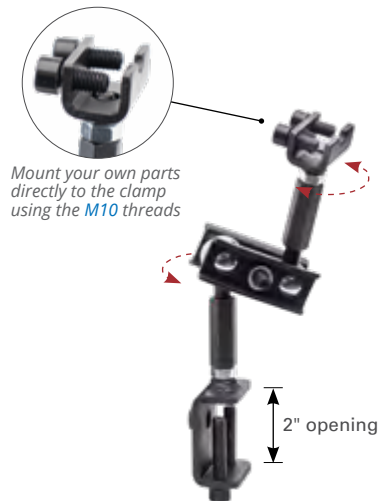
Part No.	Kit includes	Weight (lb)
UDL365K	1x UDL365 1x PG635V	3

THE THIRD HAND MODULAR CLAMPS

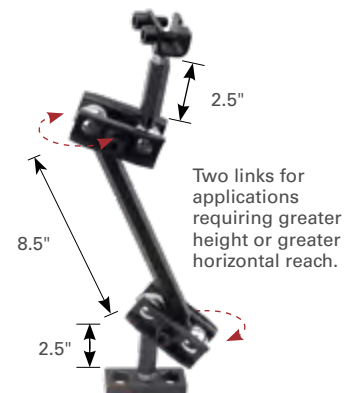
"Third Hand" positions your workpiece at any angle for full weld access. Use your THIRD HAND to elevate and firmly hold stock at the ideal angle and height while you weld, cut, sand or paint.

Securely hold stock at any position with ball joint adjustment and locking.

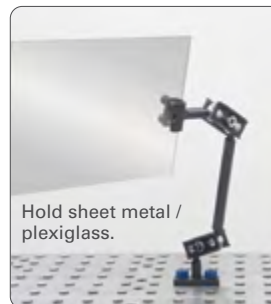
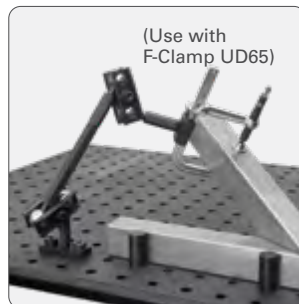
- **Universal clamp base (HAS42)** mounts on flat or square surfaces (up to 2" thick), angle iron, and 1" round posts.
- **Two hole clamp base (HAS40)** is compatible with Rhino Cart® and BuildPro® Welding Tables for mounting at any point on the tabletop.
- 0.75" opening Slotted Adaptor Head accepts Pliers or Clamps to hold round, flat, square or angled stock. Two screws securely hold parts or clamps in position.



Universal Clamp Base Model
HAS42



Welding Table Base Model
HAS40



Part No.	Description	Weight (lb)
HAS42	Universal C-Clamp Base Model	2.5
HAS40	Welding Table Base Model	3.5

MAGHOLD™ EXTENDABLE ARM

Position and hold steel stock in welding and fabrication.

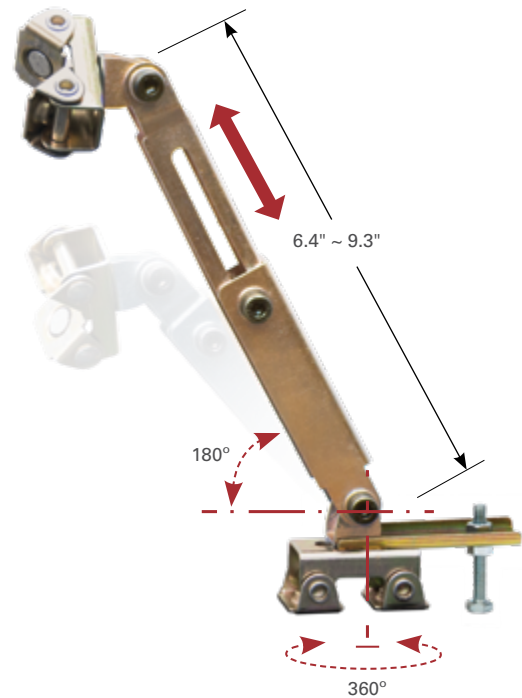
Telescoping mounting bar adjusts from 6.4" to 9.3" in length.

Loosen the center joint in the mounting bar to "fold up" the MagHold™ for different workholding configurations.

Adjustable magnetic V-Pads at each end hold stock of different shapes: round, flat, angled.



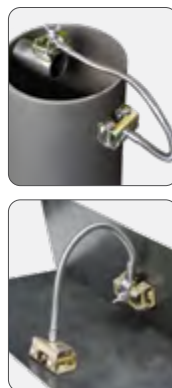
Part No.	Max. Pull Force (lb)	Weight (lb)
MHF608	18	1.3
MHN610	26	2.5



SNAKE MAGNETS

The Third Hand - Holds, Bends, Twists

The Snake Magnet gives you the flexibility to hold stock at odd angles. Spring Clamp can be used as the third hand to hold tools.



Part No.	Description	Weight (lb)
MFC312	12" flex cable, 1 clamp, 2 Adjustable Magnetic V-pads	1.0
MFC318	18" flex cable, 1 clamp, 2 flat Magnetic Pads	1.4

MagLevels

Magnet Layout Tools

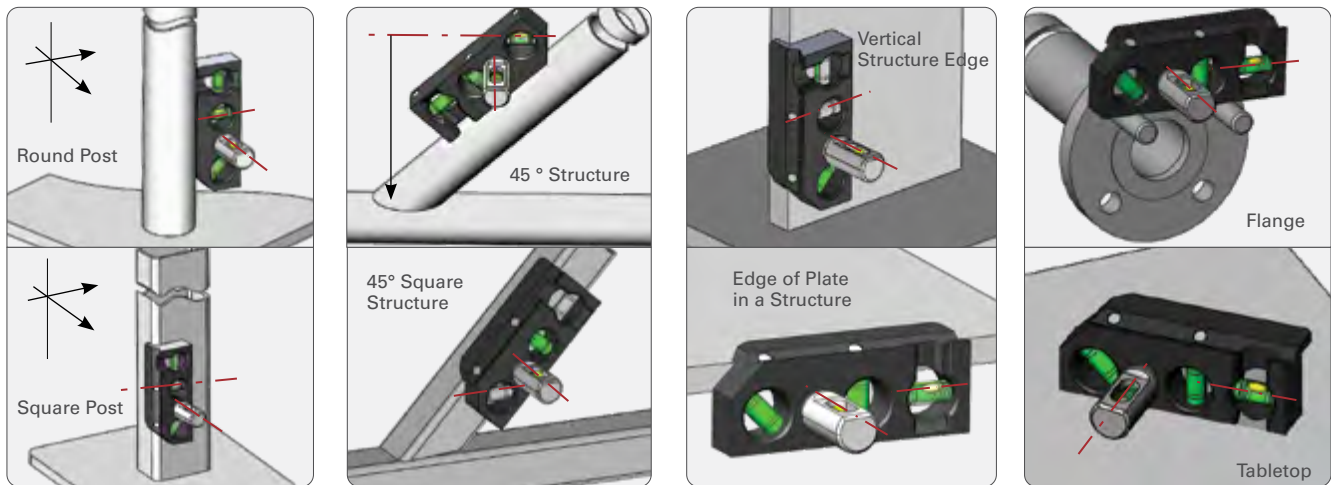
NEW ITEM

EZ-VIEW 3-AXIS LEVEL

- 3 built-in jumbo Vials and 1 Plug Vial.
- Large plugin Vial rotates for comfortable viewing angle.
- Large machined edge guide for easy alignment to large parts.
- Plug Vial lets you check level in two axes at same time.

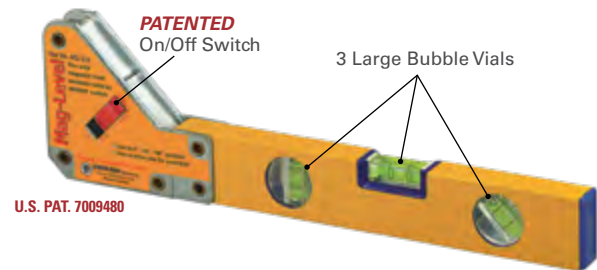
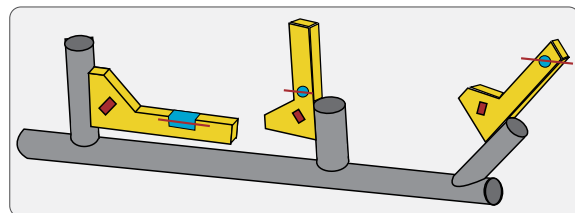


Part No.	Dimensions (in)	Weight (lb)
LM4625	6 x 1.8 x 2.2	1.1



MAG-LEVEL

- The only magnetic level with the On/Off switch.
- Holds securely to round and flat surfaces.
- Three vials for 0°, 45°, 90° reading.



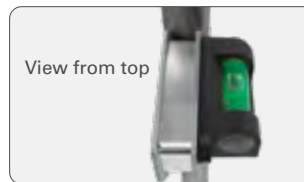
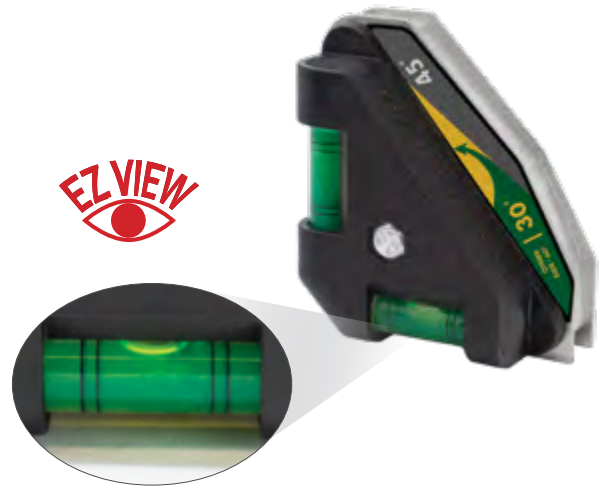
Part No.	Angles	Dimension (in)	Max. Pull Force (lb)	Weight (lb)
MSL-316	45°, 90°, 180°	4 x 16 x 1	70	2.0

EZ View Conduit Level

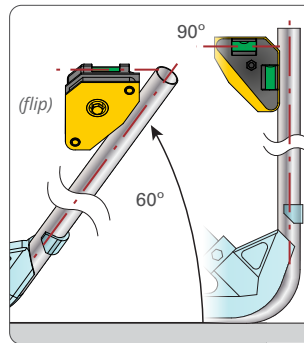
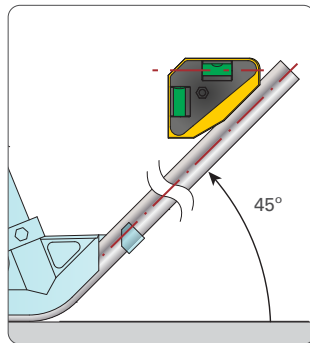
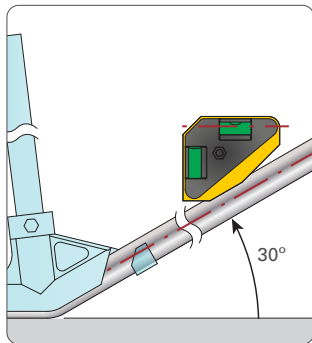
A magnet built with jumbo vials

NEW ITEM

- **STRONG MAGNET** provides secure attachment on conduits or structural parts at fixed angles.
- Place at ANY point on CONDUIT for convenient readings!
- Two easy to read **JUMBO** high visibility vials for checking 30° / 60°, 45° and 90°.
- Rugged construction.



Part No.	Angle	Dimensions (in)	Weight (lb)
LMC34679	30° / 60°, 45° and 90°	3.4 x 3 x 1.7	0.9



Vertical



Horizontal



Round

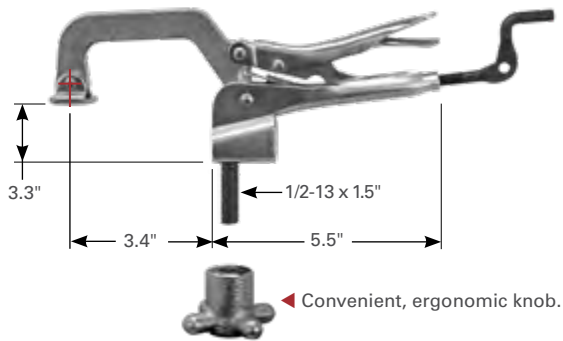
Drill Press & Shark Clamps

Quick-set hold down clamps.

DRILL PRESS CLAMP

Quickly locks and releases make them ideal for repetitious clamping.

Secure the Drill Press Clamp to any surface, up to 1" thick.



Part No.	Weight (lb)
PTTD634	1.9

Fast Set-ups, just hold the button down and pull-push the handle to desired clamping position, release the button and turn the handle to tighten.



NON TWISTING SHARK CLAMPS

Force is transferred from a rotating screw into straight line force via a hinging mechanism. This prevents twisting and rotation of the items being clamped which is especially useful in applications such as drilling.



SC50A Straight Handle Model w/ soft grip **SC50** T-Handle Model (Heavy Duty)

Part No.	Description	Max. Pull Force (lb)	MAX Clamping Capacity (in)	Weight (lb)
SC50	T-Handle	1,000	5	2.2
SC50A	Straight Handle	300	5	2.0
SC65	T-Handle	1,000	6-1/2	2.5
SC65A	Straight Handle	300	6-1/2	2.2

Half Clamp & Hold Down Clamp

Hold down action clamps with unique features and accessories.

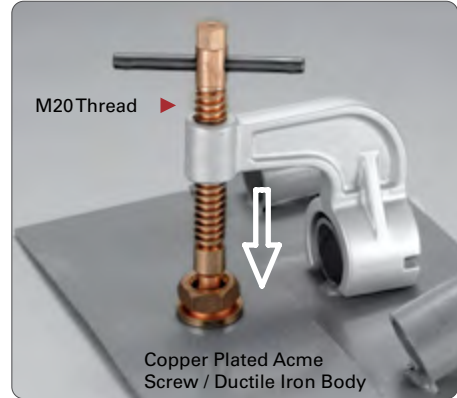
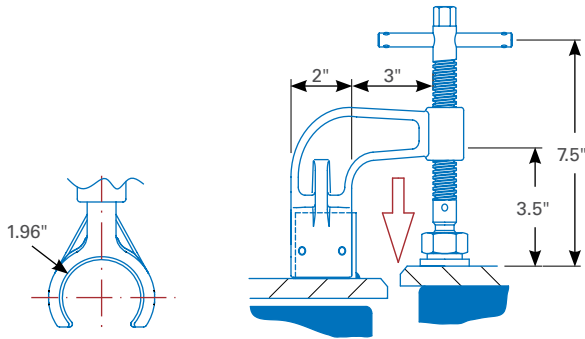


HALF CLAMP

The Efficient, Safe Way to Align Materials.

The DOG & WEDGE and CUT-OFF C-CLAMP methods of material alignment are messy, time consuming, and unsafe!

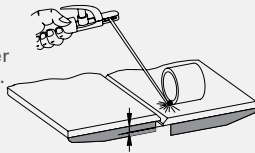
- Align materials in the fabrication of water tanks, bulkheads, deck sections, flat plates, etc.
- For big jobs, tack weld additional 1-7/8" cut pipes along the joint.



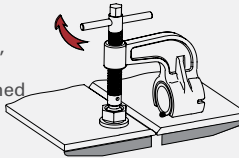
Part No.	Weight (lb)
VHC15	4.9

How to Use

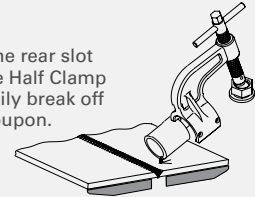
Tack weld the front side of 1-7/8" pipe coupon to the lower of the two surfaces.



Slide Half Clamp onto the cut pipe, turn the handle until the misaligned materials align.



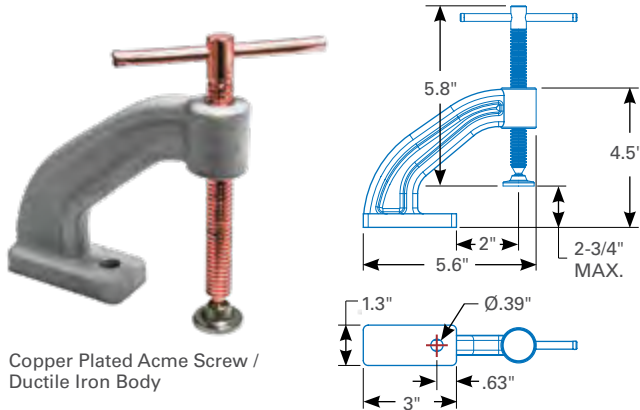
Use the rear slot on the Half Clamp to easily break off the coupon.



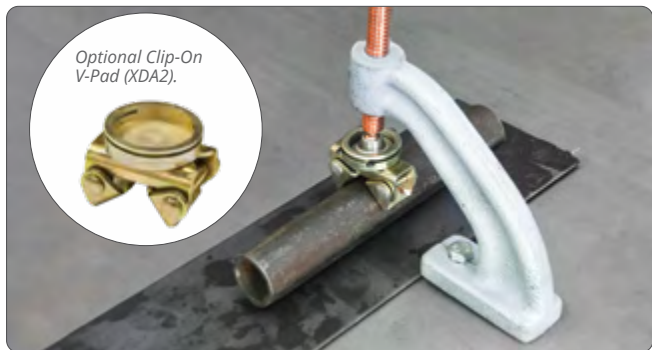
HOLD DOWN CLAMP

Bolt the clamp down to your worktable using the 3/8" hole in the base.

- The 1/2" copper plated Acme spindle resists weld spatter, and the swivel tip makes quick contact with your workpiece.
- Hold pipes by adding our Clip-On V-Pad, Part No. XDA2. (See page 11 for details.)



Copper Plated Acme Screw / Ductile Iron Body



Part No.	Capacity (in)	Weight (lb)
VHD30	2-3/4	2.0

Leaf Spring Clamps

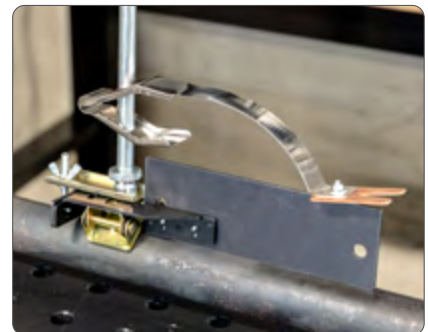
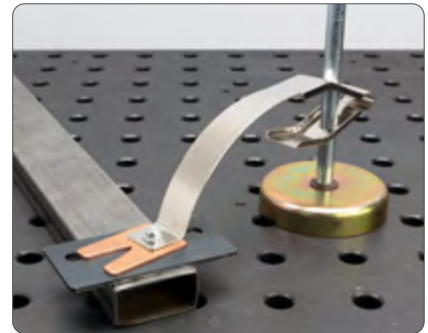
Quick-set hold down clamps.

NEW ITEM

The Leaf-Spring Clamp has a simple but effective design that lets you quickly clamp down on workpieces.

The clamping component functions like a leaf spring to apply force and is height and force adjustable by compressing the spring locking mechanism along the shaft; it can be rotated a full 360° and flipped upside down to act as a push clamp.

They are designed for light clamping applications and feature a v-grooved copper contact pad.

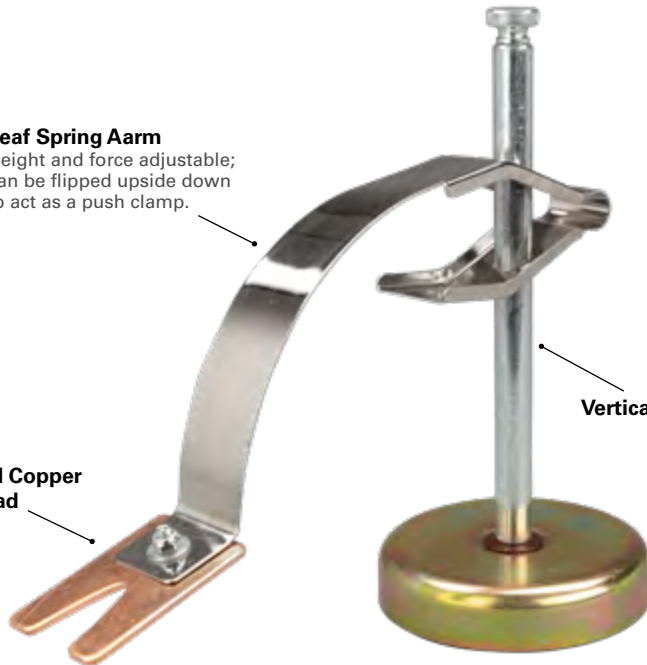


Leaf Spring Aarm

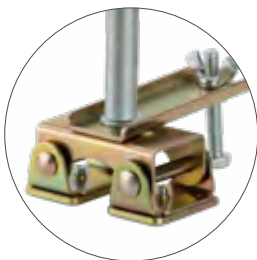
Height and force adjustable; can be flipped upside down to act as a push clamp.

Vertical Shaft

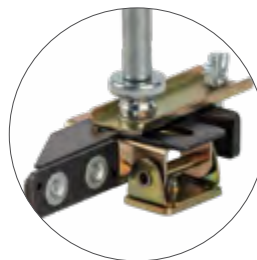
V-Grooved Copper Contact Pad



Model MCC90 has a magnetic base for attaching to flat metal surfaces and a vertical shaft holding the clamping arm.



MEC100 has a magnetic V-Pad base for mounting on square or round tubing or uneven surfaces and a vertical shaft holding the clamping arm.



MEH25 features a MagTab base for mounting on square or round tubing or uneven surfaces with additional magnetic planes for mounting stock materials and a vertical shaft holding the clamping arm.

Part No.	Base	Dimensions (in)	Weight (lb)
MCC90	Magnetic Base	8.9 x 3.5 x 7.5	1.9
MEC100	Magnetic V-Pad w/ Anti-tipping Plate	9.8 x 2.6 x 7.9	1.0
MEH25	MagTab w/ Anti-tipping Plate	9.8 x 2.8 x 7.0	1.2

Magnetic Welding Gauge

Lockable articulated arm with feeler gauges.

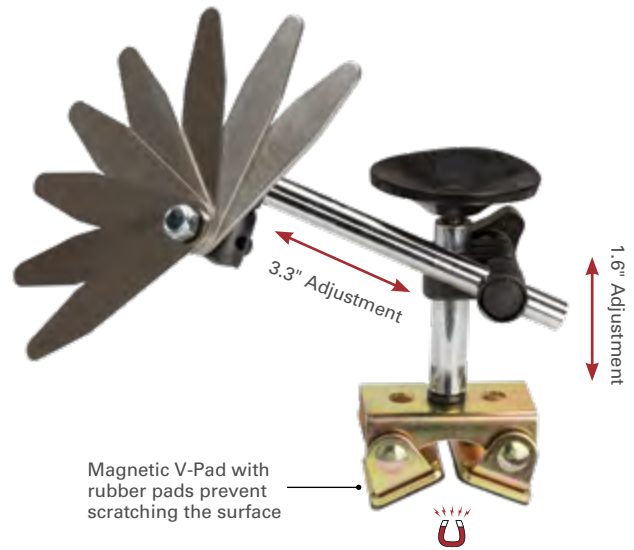


NEW ITEM

MAGNETIC WELDING GAUGE

The MVS150 is a thickness gauge featuring a magnetic V-Pad base. The feeler gauges are attached to a rotating arm providing convenience and versatile positioning. The rotating arm makes it easy for positioning adjustments. Opposite of the V-pad is a suction cup for mounting to smooth surfaces.

Measure gaps from 1/64" to 1/4", gauge sets are 4x 1/64", 2x 1/32", and 1/16".



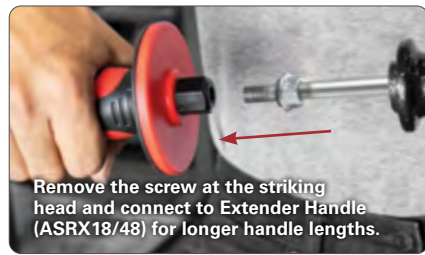
Magnetic V-Pad with rubber pads prevent scratching the surface

Part No.	Dimensions (in)	Weight (lb)
MVS150	6.75 x 5.7 x 2.5	1

Chisels, Hammer Extensions

Faster pre and post weld cleaning.

NEW ITEM



The Chisels can be connected to the sliding hammer (ASRX18) for tabletop height use.

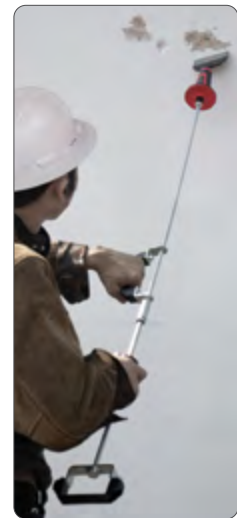
Part No.	Length (in)	Weight (lb)
ASRX18	18	2.6



The built-in sliding hammer enables odd direction/position hammering.

Adding the extension and handle (ASRX48) extends its applications to scrapping/chiseling spots on the floor or on high location.

Part No.	Length (in)	Weight (lb)
ASRX48	24	1.6



* Optional 7" wide Easy-Flip Magnetic Keeper (PN: XPV830) keeps long chisel in vertical position.



Part No.	Description	Weight (lb)
ASR100	Pointed Chisel	2.0
ASR110	1" Flat Chisel	2.0
ASR120	2" Flat Chisel	1.8
ASR140	4" Flat Chisel	1.8



Detachable striking bolt provides larger strike surface.

ASR SERIES CHISELS

Shop Equipment and Organization

We are excited to expand our offerings outside of the clamping and hand tool space to create a new Shop Equipment and Organization category to further our mission of helping fabricators work more comfortably and efficiently.



Cylinder Valve Indicators & Power Strips

Keep your working environment bright and safe.

NEW ITEM

EZ-VIEW GAS CYLINDER VALVE INDICATORS

EZ view design allows you to quickly glance to see if gas has been left on from a distance.

Money saver: reduce waste of gas from cylinders accidentally left on.

Simple installation: quickly snaps on and off valves.



Part No.	Fit Handwheels	Dimensions (in)	Weight (lb)
GVC300	5 stars	4 x 4 x 2	0.2
GVC380	8 stars	4 x 4 x 2	0.2

NEW ITEM

SURGE PROTECTOR POWER STRIPS

Individual switches, wall mountable surge protector with 5 outlets and 2 USB Ports

- **Heavy duty aluminum housing** is strong, durable, high temperature and impact resistance.
- 5 outlets and 2 USB ports with individual switches make it flexible to turn off the equipment independently. Safer and more energy-saving.
- The "Main" switch can power off all the equipment at one click.
- 1200 joules suppression rating protects from power surges and spikes.
- 6 ft and 10 ft long extension cord options.
- Includes two mounting holes on the back.

Main Switch with Protection Indicator



6 Individual Switches w/ Indicating Lights
5 Outlets + 2 USB ports
Energy and Power Saving



Electrical Rating: 1875W, 15A, 125VAC, 60Hz
USB Output: 5VDC, 2.4A Total
Surge Protect Capacity: 1200J

Part No.	Dimensions (in)	Cord Length (ft)	Weight (lb)
EPS526	14 x 2.6 x 1.7	6	2.2
EPS529	14 x 2.6 x 1.7	10	3.3

Tool Pouches

Keep your tools organized.



NEW ITEM

TOOL POUCHES

Strong and durable tool pouches have 5 pockets that open at the top to accept tools, parts, and supplies.

The additional measuring tape clip at the front and a magnetic bar at the bottom for small tools or screws keep your tools organized and easy to reach.

MPT100 features the additional round screw magnet to secure all your small nails, screws, or nuts while working.



Durable Belt
adjusts from 40" to 51"



Tape Measure Clip

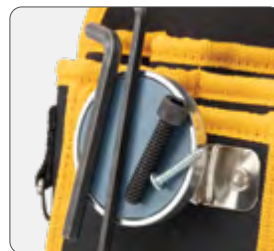
5 open pockets

Magnetic Bar
for small tools or screws



Handy metal tool clip

MTP50



MTP100



MHC50-2PK

Part No.	Description	Dimensions (in)	Weight (lb)
MTP50	Tool Pouch Only	11 x 5.5 x 2.5	0.6
MTP100	Tool Pouch w/ Screw Magnet	11 x 5.5 x 2.5	0.8
MHC50-2PK	Screw Magnet, Twin Pack	2 x 0.6	0.4



MIG Pliers (PM25) fit comfortably in the tool pouch and the retention chain attaches to the tool clip to prevent loss.

Adjusta Gas Cylinder Storage Hook

Essential Equipments for Handling Gas Cylinders!

NEW ITEM

The new and improved gas hook has adjustable opening for fitting various cylinders shoulder diameters. Adjustment screws keep the hook secure.

Hooks install and uninstall around the valve and hoses from the side - no need to remove valves or hoses.

- 2 Large Single Hooks and 2 Double Hooks hold your helmet, hammer, wrenches, and other welding essentials.
- Keep gear visible at eye level, organized, and easy to reach.
- Wide 2 Prong hooks are perfect for helmets, hoses, cables.
- Glove Clip provides a place for stowing and airing gloves.
- Constructed of plated steel. No plastic here.

Part No.	Dimension (in)	Weight (lb)
GCH160	9.6 x 8.5 x 6.2	2.1



NEW & IMPROVED



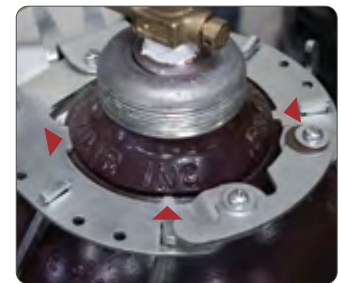
Adjustable opening for sliding in and out. Avoid valve and hose.



Thumb screw ensures a snug fit of the hooks on the cylinder.



3 styles of hooks and clips



4 points of contact for stability

Gas Grabbers & Cylinder Cart

SAFELY LIFT, Move, Place, & Store Cylinders!



GAS GRABBERS

Safely and easily lift, transport, and place gas cylinders around the shop with the Gas Grabber. Reduce back strain and increase shop safety.

- Automatic cylinder engagement
- 8-point cylinder contact pads provide a secure hold
- Dual handles



GCL820



Secure, no-slip holding for a safe, **productive** workplace.



Release the handles, and the Grabber **remains in position** on the cylinder, ready for use.



Safely carry heavy cylinders upstairs with the Gas Grabber.

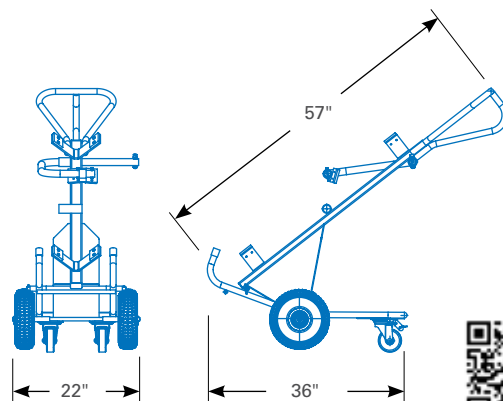
Part No.	W x D x H (in)	For Cylinder Size (in)	Loading Capacity (lb)	Weight (lb)
GCL230	20 x 11 x 4	8.5-9 Dia.	270	7

CYLINDER CART

This new cylinder cart allows you to safely lift, move, place and store heavy cylinders. The sliding Stainless Steel Keeper Bar holds the cylinder securely in place without the use of chains or straps.

Lift cylinders for placement on an elevated platform, such as a welding cart or pallet up to 7" high. Two 3" rear locking wheels provide easy movement + stable storage.

Rugged round steel tube welded construction for strength and durability, with powder coated finish.



Demo Video

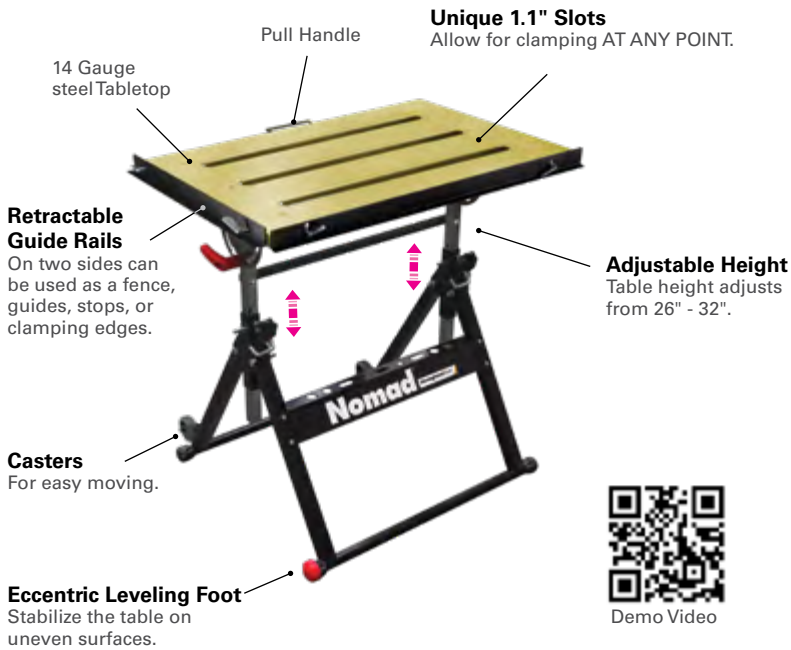
Part No.	Load Capacity (lb)	For Cylinder Size (in)	Weight (lb)
GCC210	400	8.5-9 Dia.	54

NEW ITEM

NOMAD™ Economy Welding Table & Tool Kit

Very Affordable. Fully Adjustable. Easily Movable.

The Nomad Economy Welding Table is engineered to provide a safe, transportable, affordable, and versatile welding surface.



The MagSpring™ Clamps can be inserted into the 1.1" slots on the Nomad™ Tabletop for hold down clamping. Magnetic V-Pad jaw holds underneath the table to keep the clamp in the up-right, "ready to use" position.



Part No.	Tabletop Size (in)	Table Height Range (in)	Slot in Tabletop (in)	Table Positions	Load Capacity (lb)	Weight (lb)
TS3020	30 W x 20 L	26 - 32	1.1	0°, 30°, Folded	350	44

NOMAD™ ECONOMY TOOL KIT

The Nomad Economy Tool Kit is ideal for clamping and positioning stock on the Nomad Table.

Part No.	Kit includes	Weight (lb)
TSK104	2x MagSpring Clamp UB45 1x Multi-Angle Magnet MS346C 1x Mini Magnet MS346A 2x Magnetic V-Pad XDV4	4



NOMAD™ CONNECTOR PLATE

Need more tabletop workspace? Use the Nomad™ Connector Plate to join two Nomad Tables together to create a 7.5' long workstation!

Clamp and work on larger projects, or multiple projects with the fully adjustable work surface! There are thru holes on all four sides of the Connector Plate for multiple mounting options.



TSL30 (Includes all mounting screws)

Part No.	Weight (lb)
TSL30	16.4



Modular Tube & Pipe Notcher

Notch tubes and pipes at the accurate angle and length.



Mounting your Notcher on the: BuildPro®, Rhino Cart®, or BuildPro® Fixturing Plates allows for quick and accurate setups when notching multiple parts.

Notch 1"– 2-1/2" OD pipes or square tubes at any angle, or off-center. Position the two V-Blocks and clamp as needed.



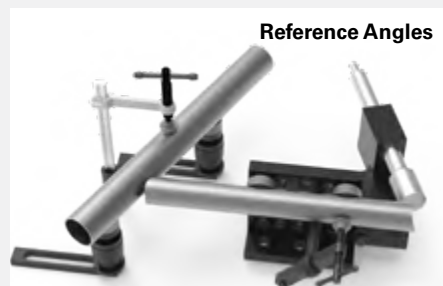
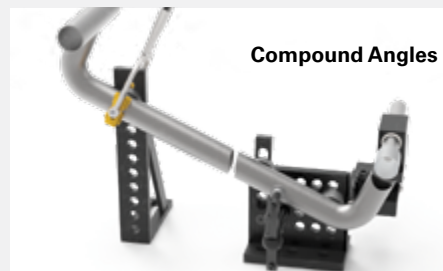
Height Setting Scale



Angle Setting Scale

Arrange the Clamp and V-Blocks on the Modular Fixturing Block as needed for proper part positioning in each notching application.

In the examples below, the Notcher is used to notch workpieces as needed to fit seamlessly into a final assembly:



Strong Hand Tools offers different styles of welding tables to provide a solution for every need and workspace. All table systems have matching accessory kits to provide faster fixturing, consistent results, and greater productivity.



www.BuildProTables.com

The professional BuildPro® Welding Tables are setting a new standard in price and performance.

The BuildPro's modular design gives you the flexibility to adapt to each new project easily. You'll work more safely and efficiently, so you can increase both your productivity and quality of work.

- CNC machined 5/8 holes in a 2" grid pattern for locating, positioning and holding your fixture.
- REVERSIBLE Plates can be reconfigured to extend the width of the table for larger projects.

U.S. PAT. 8065967



*In-stock for immediate delivery.
Contact us for complete catalog.*



www.Pro28Tables.com

Expand your capabilities in fixturing heavy duty, complex, or oversized weldments for precision welding and fabrication.

- Individual positionable, reversible table plates
- HV750 Tabletop Hardness
- QPQ Nitriding Treatment



www.rhino-cart.com

The Rhino Cart® Mobile Fixturing Station is a turnkey system for fixturing and clamping in welding and fabrication.

- Reversible, flat, nitrided (heat treated) 30" x 48" tabletop for accuracy in all of your setups.
- The Rhino Cart® Table is compatible with the Clamps and Components in the BuildPro® Welding Table product line.

U.S. PAT. 9896117



FixturePoint™

Jig & Fixture Tables

www.BuildProTables.com

The economy priced FixturePoint™ Tables are ideal for the setup of 2D frames and other basic fixtures.

Choose from three clamp and component kits that mate to the 16 mm holes on the 36" x 24" tabletop.

The FixturePoint™ tabletop can be detached from the leg frame for placement on alternate work surfaces as needed.



Toggle Clamps

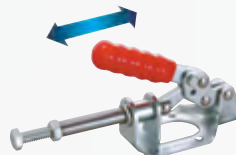
www.goodhandinc.com



Vertical Handle
Hold Down Action



Horizontal Handle
Hold Down Action



Push/Pull
Straight Line Action



Latch Type
Pull Action



Machine Parts & Tooling Components.

www.valtrainc.com



Handwheels



Adjustable Handles



Crank Handles



Rotary T-Slot Nuts



Leveling Pads



Rotary T-Slot Bolts



Plain Eyebolts



Toll Free: 800.989.5244
Tel: 562.949.8625
Fax: 562.949.4875
Email: sales@stronghandtools.com
Address: 8750 Pioneer Blvd.,
Santa Fe Springs, CA 90670, U.S.A.

©2021 First Print. Apr. 2022 Reprint.
03/2023 Edition



CATALOG-SH_2021_V2